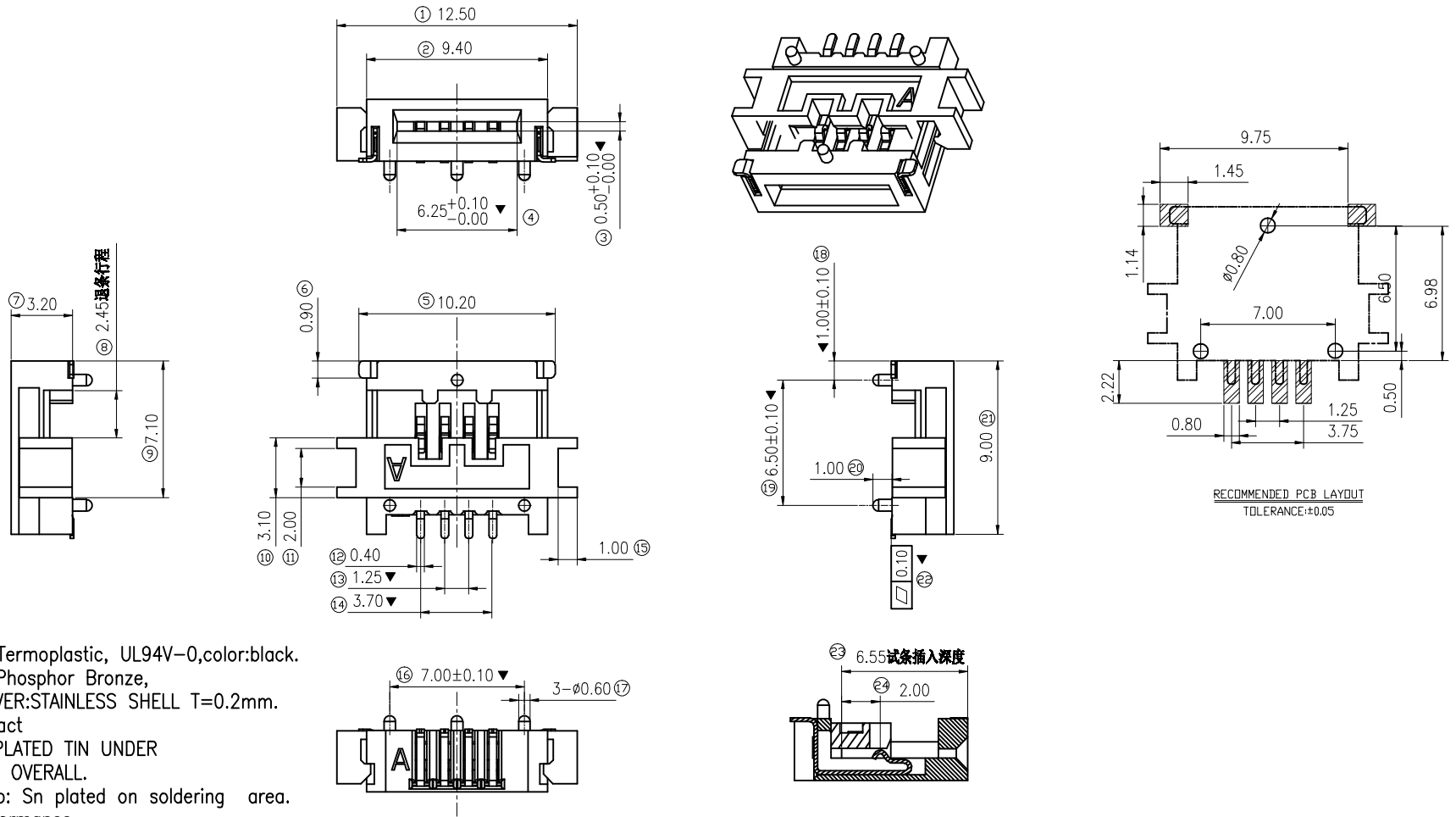


RoHS compliant

REV	DATE	MODIFICATION	APPROVER
AO	2022.07.07	NEW	ZLCK



- Material:
  - 1.1 Insulator: Termoplastic, UL94V-0,color:black.
  - 1.2 Terminal: Phosphor Bronze,
  - 1.3 SHELL COVER:STAINLESS SHELL T=0.2mm.
- Plating of Contact
  - 2-1 Terminal:PLATED TIN UNDER PLATED NICKEL OVERALL.
  - 2-2 solder tab: Sn plated on soldering area.
- Mechanical performance
  - 3-1 Mating Cycles: 11000 cycles
- Electrical performance:
  - 2.1 Rating current:0.3A Max.
  - 2.2 Insulation resistance: 500M $\Omega$  Min. at 500 V DC.
  - 2.3 Terminal contact resistance: 30m $\Omega$  Max.
  - 2.4 Withstanding voltage:500V AC at 1mA Max. for 1 minute.
- Environment performance.
  - 3.1 Operating temperature:  $-25^{\circ}\text{C} \sim +85^{\circ}\text{C}$
  - 3.2 Storage temperature:  $-25^{\circ}\text{C} \sim +85$

<b>GENERAL TOLERANCE</b>			UNITS	NAME:	<b>ATOM</b> 深圳市爱特姆科技有限公司 SHENZHEN ATOM TECHNOLOGY CO., LTD.		
SELECT	✓		mm	4P MEDICAL TREATMENT CONNECTOR	PART NO:		
TOL	1	2			GP17C-06200		
DN.		3	MAT'L		TITLE: CUSTOMER DRAWING FOR 4P MEDICAL TREATMENT CONNECTOR		
X.XXX	$\pm 0.10$	$\pm 0.05$			APPD:		
X.XX	$\pm 0.15$	$\pm 0.13$	FINISH		DWG NO. ATOM-A07113		
X.X	$\pm 0.20$	$\pm 0.25$			CHKD:		
X.	$\pm 0.30$	$\pm 0.36$	Q'TY		DR: ming2022.07.07		
ANGLE	$\pm 2^{\circ}$				SCALE SHEET REV		
					1:1 1/1 AO		