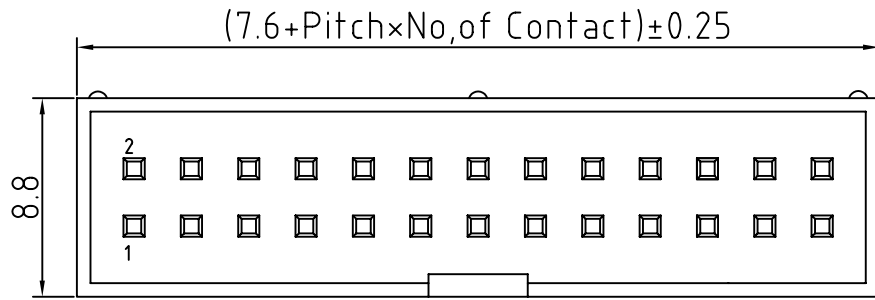
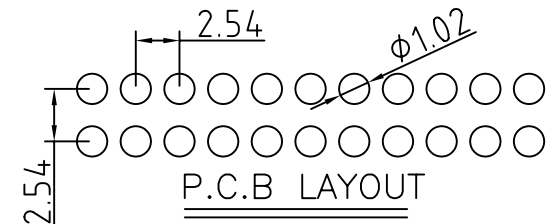
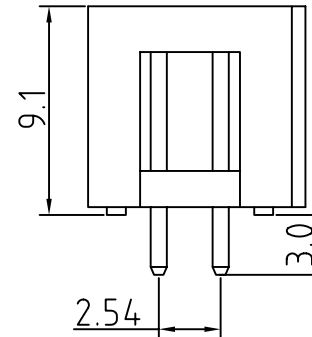
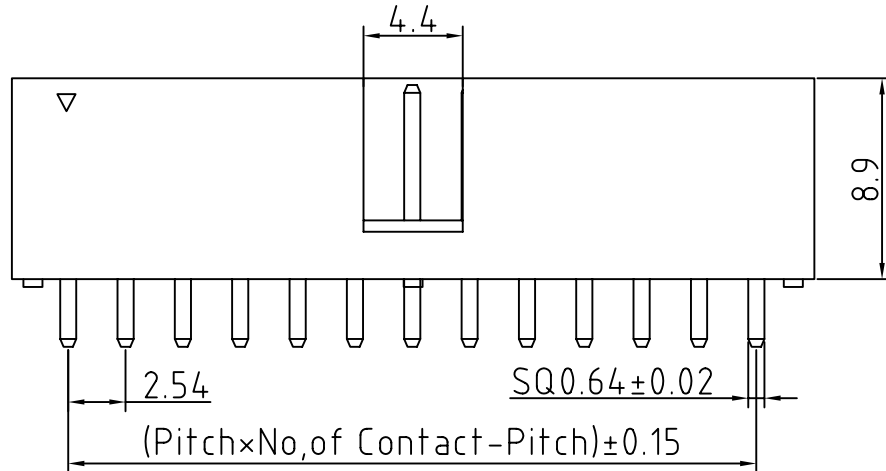



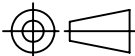
5	6	7	8
REV.	DATE	ECN NO.	MODIFICATION
A	2010/01/23	/	NEW
			APPROVER
			Vicky



SPECIFICATIONS:

Current Rating: 3Amp
 Insulator Resistance: 1000Megohms min
 Dielectric withstanding: AC 500V
 Operating Temperature: -55°~+105°
 Max Processing Temp: 180°for 5~10 seconds
 Contact Material: Brass
 Insulator Material: PBT+30% UL94V-0
 Plating: Glod 0.8U"
 Color: Black



GENERAL TOLERANCE			UNITS	NAME:	BOX	 深圳市爱特姆科技有限公司 SHENZHEN ATOM TECHNOLOGY CO.,LTD.			
SELECT	✓		mm	PART NO:	BH254**B***				
ON.	TOL.	1 2 3	MAT'L	APPD:	Vicky	TITLE:	BOX2.54mm 2*XP DIP 180°		
X.XXX		±0.05 ±0.15	FINISH	CHKD:	Amy	DWG NO.	ATOM-A01353		
X.XX	±0.15	±0.13 ±0.25	Q'TY	DR:	Hindy		SCALE	SHEET	REV
X.X	±0.20	±0.25 ±0.50					1:1	1/1	A
X.		±0.38 ±1.00							
ANGLE	±0.5°								