

HF

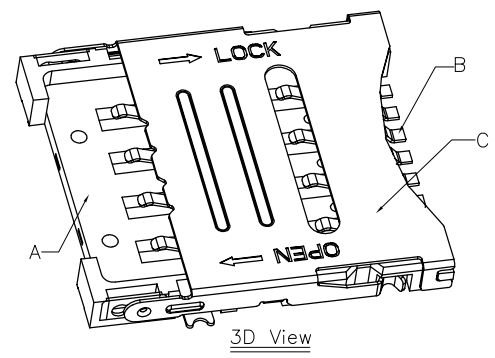
REV.	DATE	ECN NO.	MODIFICATION	APPROVER
AO	2023.03.11	/	NEW	Jason

Specifications:
 Material:
 A.Housing: LCP,UL94V-0 Black
 B.Contact: C5210,T=0.15±0.03mm
 Gold plated 3U²Min on contact area;
 100U²Tin plated TIN on Solder area.
 C.Shell:SUS304,T=0.15±0.03mm
 Nickel Plating 50U²Min.
 3.Lead free and ROHS compliant product.

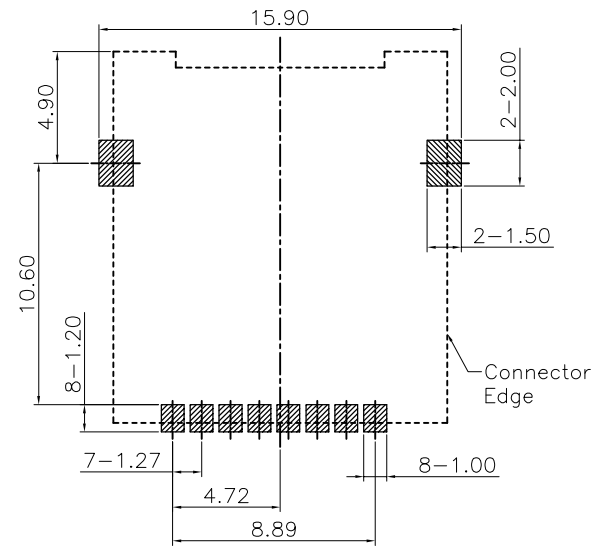
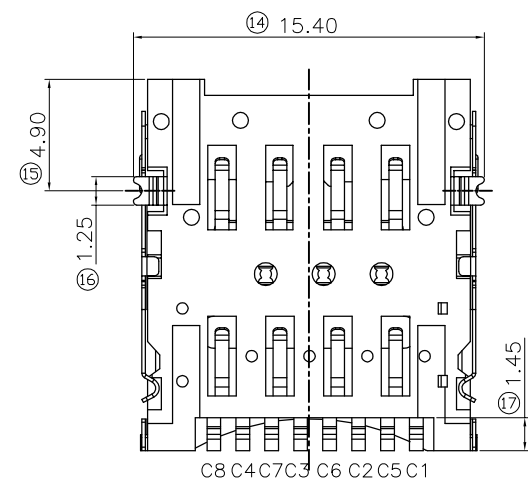
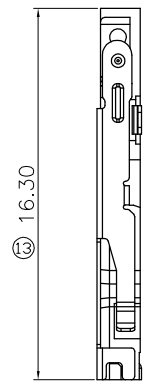
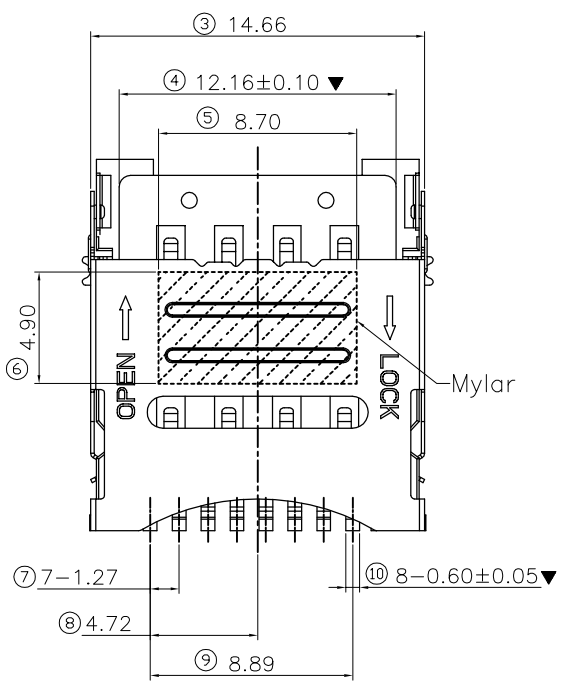
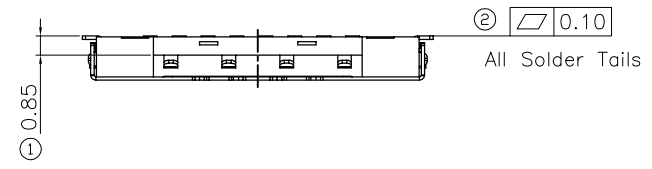
Electrical:
 1.Current Rating: 1A
 2.Voltage Rating: 15V DC
 3.Contact Resistance: 30 mΩ MAX
 4.Insulation Resistance: 1000 MΩ MIN
 5.Withstanding Voltage: 500V AC for one minute

Mechanical:
 1.Shell push pull force: 1-9N .
 2.Durability :2500 Cycles.

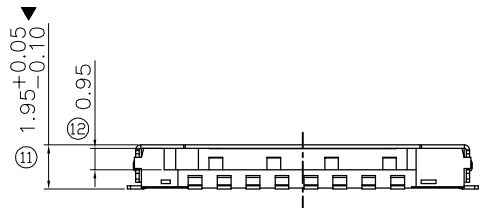
Environment characteristics:
 1.Operating Temperature:-25°C~+85°C



3D View



RECOMMENDED PCB LAYOUT(TOP VIEW)
 DEFAULT TOLERANCE:±0.05



P/N	Pin Assignment	GENERAL TOLERANCE			UNITS
C1	Supply Voltage(Vcc)	SELECT	✓		mm
C2	Reset(Rst)	TOL.			MAT'L
C3	Clock(Clk)	ON.	1	2	
C4	Reserved For Future Use(Rfu)	X.XXX	±0.10	±0.15 ±0.20	FINISH
C5	Ground(Gnd)	X.XX	±0.15	±0.20 ±0.30	
C6	Programming Voltage(Vpp)	X.X	±0.20	±0.25 ±0.30	Q'TY
C7	I/O	X.	±0.25	±0.30 ±0.50	
C8	Reserved For Future Use(Rfu)	ANGLE	±2'		

NAME(INTENDED USE)	MICRO SIM CARD
PART NO.(INTENDED USE)	SI118A-03200
APPD:	
CHKD:	
DR:	Frank

ATOM 深圳市爱特姆科技有限公司
 SHENZHEN ATOM TECHNOLOGY CO., LTD.

TITLE:
 Customer Drawing For Micro Sim Card 8Pin
 掀盖式 H=1.95mm 无柱 无窗

DWG NO.:
 ATOM-A08034

SCALE	SHEET	REV.
1:1	1/1	AO