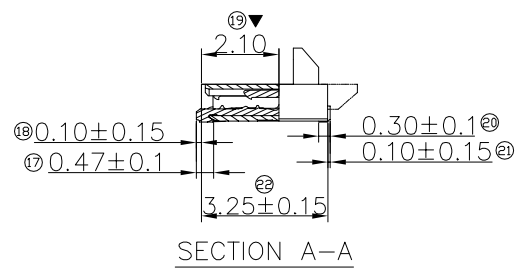
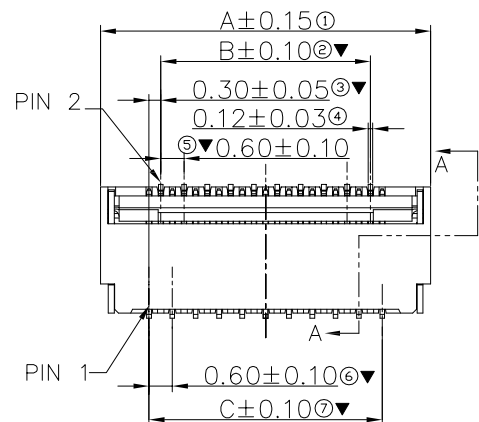


5	6	7	8
REV.	DATE	ECN NO.	MODIFICATION
AO	2021.05.30		NEW
			APPROVER
			Abel



SPECIFICATIONS:

Material:

- Housing: LCP, UL94V-0, Color: Natural.
- Latch: PA4T .UL94V-0, Color: Black
- Contact: C5210, Gold Flash plated on contact area and Solder area 50u" Nickel under plating over all
- Solder tab: C5210 80u" Matte tin plated on Solder tab 50u" Nickel under plating over all

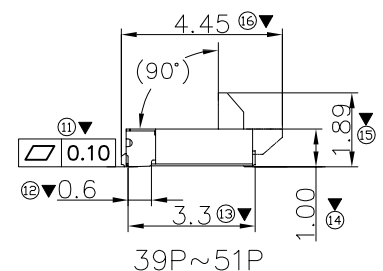
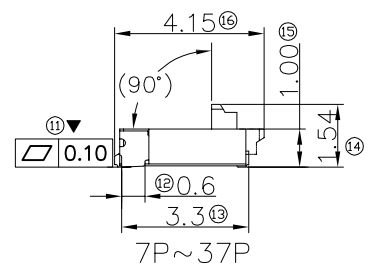
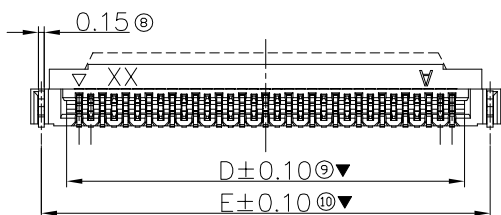
Electrical:

- Current Rating: 0.3A AC/DC
- Voltage Rating: 30V AC/DC
- Contact Resistance: 100mΩ Max
- Dielectric Withstanding Voltage: 500V DC for 1 minute
- Insulation Resistance: 50MΩ Min

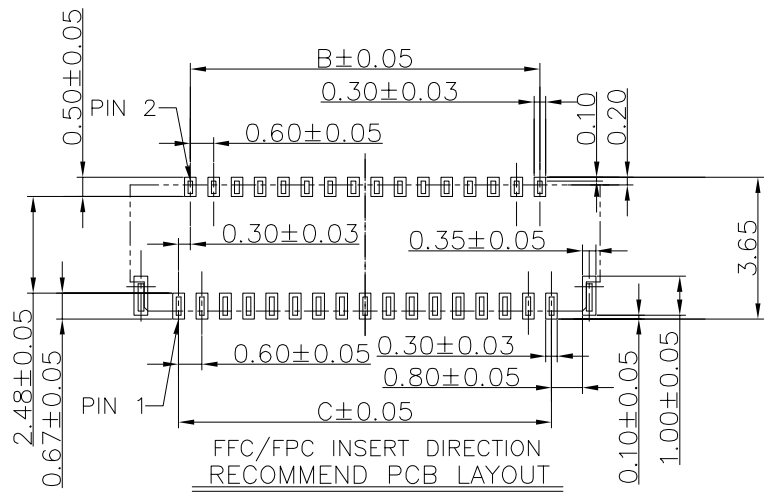
Environment characteristics:

- Operating Temperature: -55°C~+85°C

Major Dimension: ▼
Lead free and ROHS compliant product.

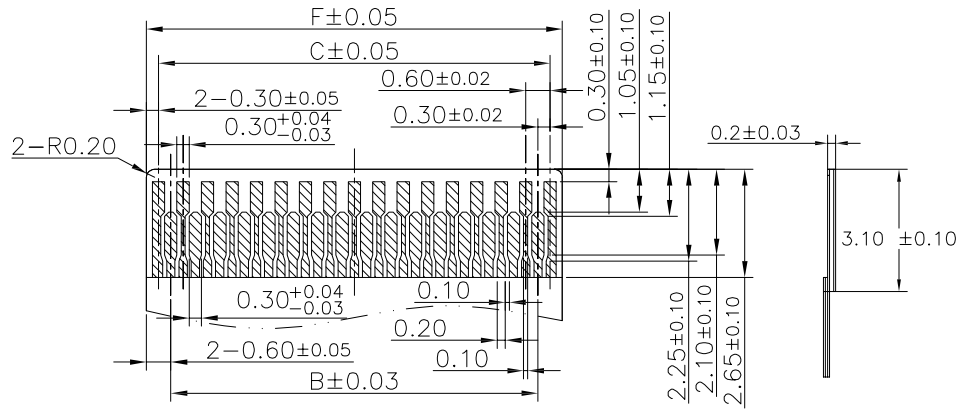


PIN NO	DIM A	DIM B	DIM C	DIM D	DIM E	DIM F
07	4.30	1.20	1.80	2.43	3.75	2.40
09	4.90	1.80	2.40	3.03	4.35	3.00
11	5.50	2.40	3.00	3.63	4.95	3.60
13	6.10	3.00	3.60	4.23	5.55	4.20
15	6.70	3.60	4.20	4.83	6.15	4.80
17	7.30	4.20	4.80	5.43	6.75	5.40
19	7.90	4.80	5.40	6.03	7.35	6.00
21	8.50	5.40	6.00	6.63	7.95	6.60
23	9.10	6.00	6.60	7.23	8.55	7.20
25	9.70	6.60	7.20	7.83	9.15	7.80
27	10.30	7.20	7.80	8.43	9.75	8.40
29	10.90	7.80	8.40	9.03	10.35	9.00
31	11.50	8.40	9.00	9.63	10.95	9.60
33	12.10	9.00	9.60	10.23	11.55	10.20
35	12.70	9.60	10.20	10.83	12.15	10.80
37	13.30	10.20	10.80	11.43	12.75	11.40
39	13.90	10.80	11.40	12.03	13.35	12.00
41	14.50	11.40	12.00	12.63	13.95	12.60
43	15.10	12.00	12.60	13.23	14.55	13.20
45	15.70	12.60	13.20	13.83	15.15	13.80
47	16.30	13.20	13.80	14.43	15.75	14.40
49	16.90	13.80	14.40	15.03	16.35	15.00
51	17.50	14.40	15.00	15.63	16.95	15.60

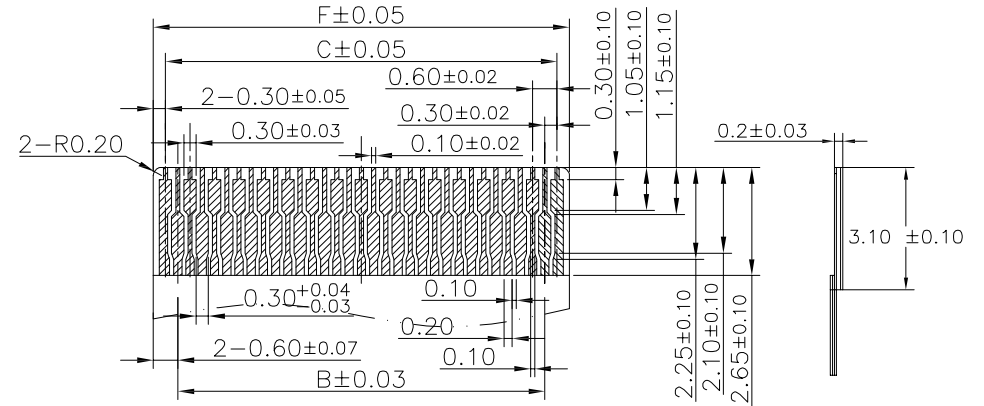


GENERAL TOLERANCE				UNITS	NAME (INTENDED USE)	ATOM 深圳市爱特姆科技有限公司 SHENZHEN ATOM TECHNOLOGY CO., LTD.			
SELECT	1	2	3						
TOL.	✓			MAT'L	FPC	PART NO. (INTENDED USE)			
ON.	1	2	3		FPC030** - 42***	TITLE: Customer Drawing For FPC0.3mm XP SMT H=1.0mm 前插后掀			
X.XXX	±0.10	±0.15	±0.20	FINISH	APPD:	DWG NO.:			
X.XX	±0.15	±0.20	±0.25			Abel	ATOM-A09908		
X.X	±0.20	±0.25	±0.30	Q'TY	CHKD:	SCALE			
X.	±0.25	±0.30	±0.50			Vicky	1:1		
ANGLE	±2'				DR:	SHEET			
					Ling	1/2			
						REV.			
						AO			

5	6	7	8
REV.	DATE	ECN NO.	MODIFICATION
A0	2021.05.30		NEW
			APPROVER
			Abel



APPLICABLE FFC/FPC
 FFC/FPC THICKNESS=0.20±0.03



APPLICABLE FFC/FPC
 FFC/FPC THICKNESS=0.20±0.03

GENERAL TOLERANCE			UNITS mm	NAME(INTENDED USE) FPC	ATOM ® 深圳市爱特姆科技有限公司 SHENZHEN ATOM TECHNOLOGY CO., LTD.				
SELECT	✓							MAT'L	PART NO.(INTENDED USE) FPC030**-42***
TOL. ON.	1	2	3	FINISH	APPD: Abel	DWG NO.: ATOM-A09908			
X.XXX	±0.10	±0.15	±0.20						Q'TY
X.XX	±0.15	±0.20	±0.25	DR: Ling					
X.X	±0.20	±0.25	±0.30						
X.	±0.25	±0.30	±0.50						
ANGLE	±2'								