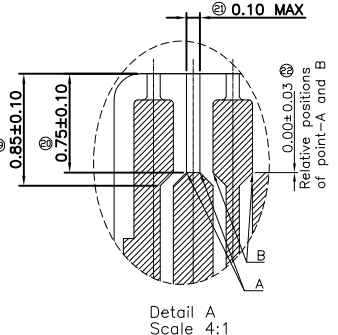
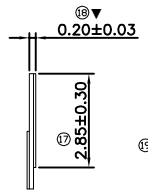
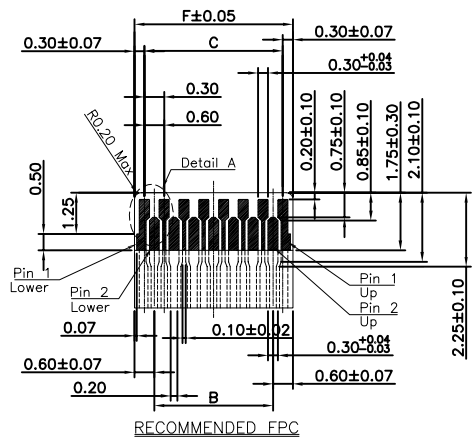
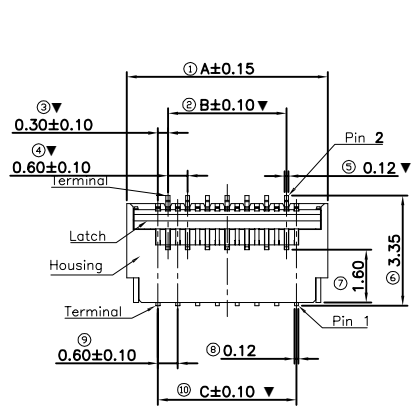
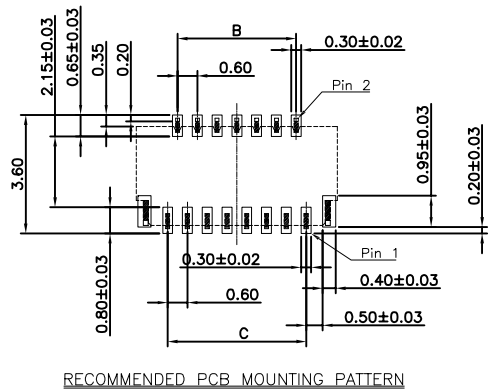
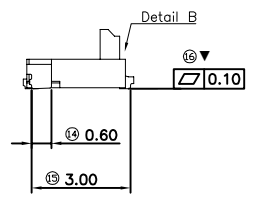
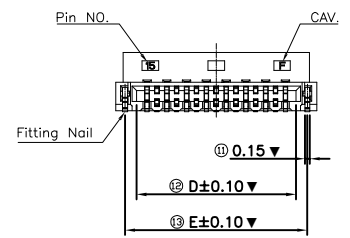


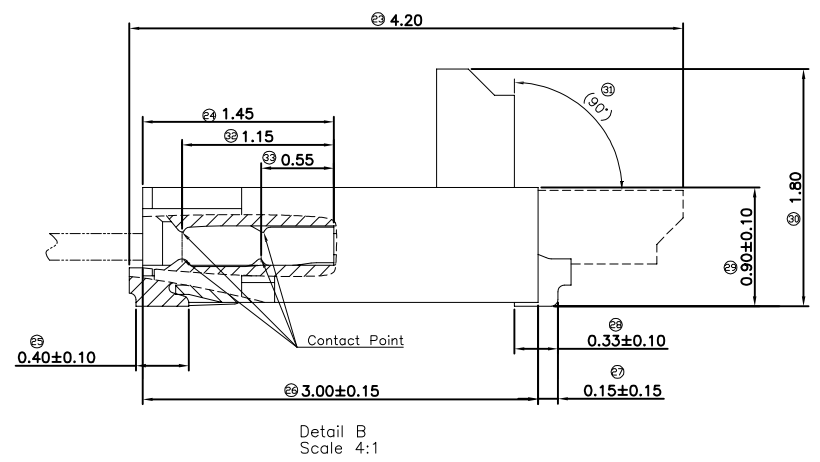
REV.	DATE	ECN NO.	MODIFICATION	APPROVER
A0	2022.06.12		NEW	Abel
A1	2024.08.06	RD00324080601	更新性能参数	Abel



SPECIFICATIONS:
Material:
1.Housing:LCP Black/Natural, UL94V-0
2.Latch:PA9T, UL94V-0; Black
3.Contact:C5210,
1u"Gold on contact and Gold Flash on Solder
50~100u" Nickel under plating over all
4.Solder tab: C5191
80~150u" Matte Tin over all
50~100u" Nickel under plating over all
Electrical:
1.Current Rating:0.2A DC
2.Voltage Rating:30V AC
3.Contact Resistance:100mΩ Max
4.Dielectric Withstanding Voltage:90V AC (rms) 1 minute
5.Insulation Resistance: 50MΩ Min
Environment characteristics:
1.Operating Temperature:-25°C~+85°C
Major Dimension:▼
Products meet ROHS environmental requirements



PIN NO	A	B	C	D	E	F
9	4.30	1.80	2.40	3.03	3.73	3.00
11	4.90	2.40	3.00	3.63	4.33	3.60
13	5.50	3.00	3.60	4.23	4.93	4.20
15	6.10	3.60	4.20	4.83	5.53	4.80
17	6.70	4.20	4.80	5.43	6.13	5.40
19	7.30	4.80	5.40	6.03	6.73	6.00
21	7.90	5.40	6.00	6.63	7.33	6.60
23	8.50	6.00	6.60	7.23	7.93	7.20
25	9.10	6.60	7.20	7.83	8.53	7.80
27	9.70	7.20	7.80	8.43	9.13	8.40
29	10.30	7.80	8.40	9.03	9.73	9.00
31	10.90	8.40	9.00	9.63	10.33	9.60
33	11.50	9.00	9.60	10.23	10.93	10.20
35	12.10	9.60	10.20	10.83	11.53	10.80
37	12.70	10.20	10.80	11.43	12.13	11.40
39	13.30	10.80	11.40	12.03	12.73	12.00
41	13.90	11.40	12.00	12.63	13.33	12.60
43	14.50	12.00	12.60	13.23	13.93	13.20
45	15.10	12.60	13.20	13.83	14.53	13.80
47	15.70	13.20	13.80	14.43	15.13	14.40
49	16.30	13.80	14.40	15.03	15.73	15.00
51	16.90	14.40	15.00	15.63	16.33	15.60
53	17.50	15.00	15.60	16.23	16.93	16.20
55	18.10	15.60	16.20	16.83	17.53	16.80
57	18.70	16.20	16.80	17.43	18.13	17.40
59	19.30	16.80	17.40	18.03	18.73	18.00
61	19.90	17.40	18.00	18.63	19.33	18.60
63	20.50	18.00	18.60	19.23	19.93	19.20
65	21.10	18.60	19.20	19.83	20.53	19.80
67	21.70	19.20	19.80	20.43	21.13	20.40
69	22.30	19.80	20.40	21.03	21.73	21.00
71	22.90	20.40	21.00	21.63	22.33	21.60



GENERAL TOLERANCE			UNITS	NAME(INTENDED USE)	ATOM® 深圳市爱特姆科技有限公司 SHENZHEN ATOM TECHNOLOGY CO., LTD.		
SELECT	✓		mm	FPC	TITLE: Customer Drawing For FPC0.3mm XP SMT H=0.9mm 前插后掀		
TOL	1	2	MAT'L	PART NO.(INTENDED USE)	DWG NO.: ATOM-A08540		
ON.	1	3		FPC030**-63***	SCALE	SHEET	REV.
X.XXX	±0.10	±0.15	FINISH	APPD: Abel	1:1	1/1	A1
X.XX	±0.15	±0.20		Q'TY	CHKD: Vicky		
X.X	±0.20	±0.25		DR: XCF			
X.	±0.25	±0.30					
ANGLE	±2'						