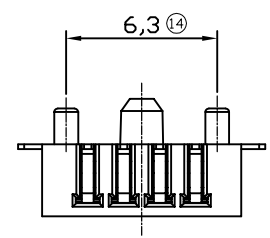
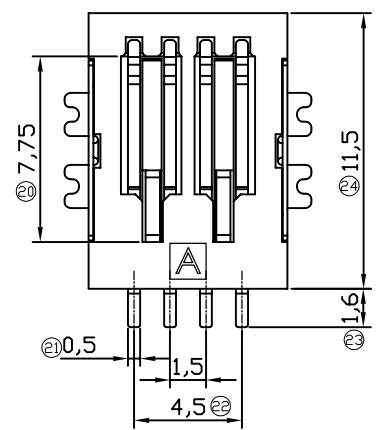
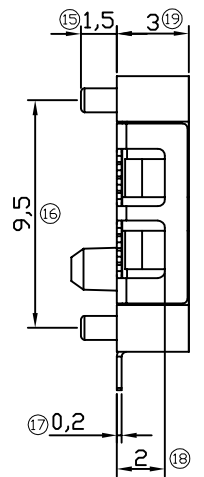
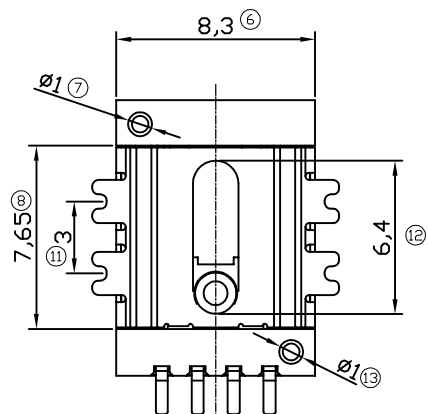
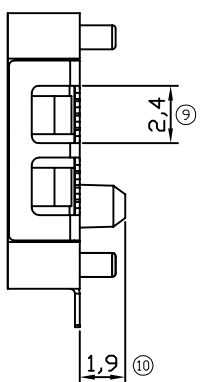
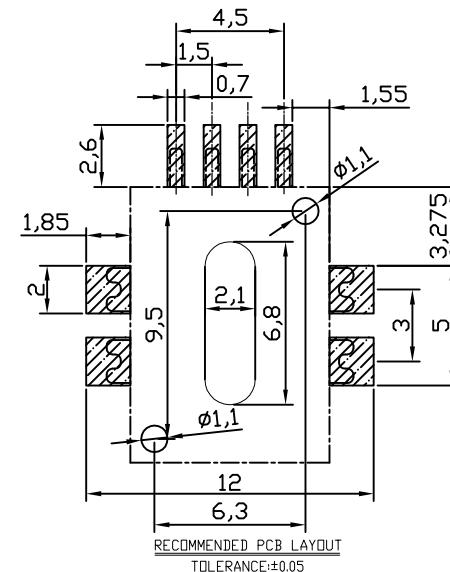
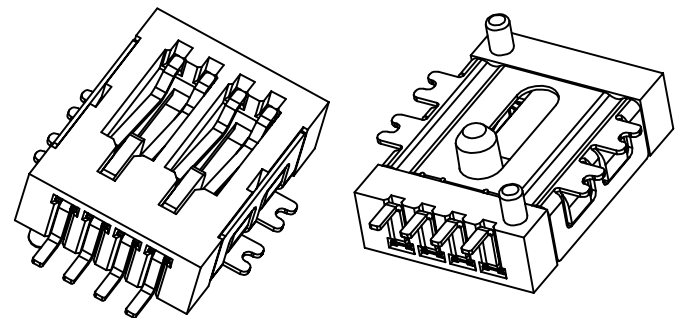
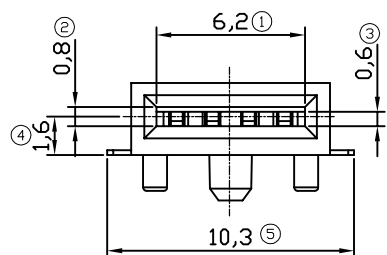


RoHS compliant

REV	DATE	MODIFICATION	APPROVER
A0	2022.02.12	NEW	JAK



- NOTE:
- MATERIAL:  
HSG:TERMOPLASTIC,UL 94V-0,COLOR:BLACK  
TERMINAL:COPPER ALLOY,T=0.2mm.  
SHELL COVER:STAINLESS SHELL T=0.2mm.
  - FINISHING:  
TERMINAL:GOLD AU UNDER  
PLATED NICKEL OVERALL.  
SHELL COVER:PLATED TIN UNDER  
PLATED NICKEL OVERALL.
  - MECHANICAL PERFORMANCE  
3-1 MATING CYCLES: 30000 CYCLES  
3-2 CONNECTOR MATING FORCE 6N(0.61kgf) MAX  
3-3 CONNECTOR UNMATING FORCE 0.25N(0.025kgf) MIN
  - ELECTRICAL PERFORMANCE:  
4.1 RATING CURRENT:1.0A MAX.  
4.2 INSULATION RESISTANCE: 100MΩ MIN. AT 500 V DC.  
4.3 TERMINAL CONTACT RESISTANCE: 50mΩ MAX.  
4.4 WITHSTANDING VOLTAGE:500V AC AT 1mA MAX. FOR 1 MINUTE.
  - Environment performance.  
5.1 Operating temperature: -25℃~ +85℃  
5.2 Storage temperature: -25℃~ +85℃  
6.5.Lead free and Rohs compliant product.

MATTER	RoHs (PPM)
Cd	≤100
Pb	≤1000
Hg	≤1000
Cr6+	≤1000
PBB	≤1000
PBDE	≤1000

GENERAL TOLERANCE	UNITS	NAME:	ATOM® 深圳市爱特姆科技有限公司 SHENZHEN ATOM TECHNOLOGY CO.,LTD.		
SELECT <input checked="" type="checkbox"/>	mm	4P MEDICAL TREATMENT CONNECTOR	TITLE: CUSTOMER DRAWING FOR 4P MEDICAL TREATMENT CONNECTOR		
TOL. 1 2 3	MAT'L	PART NO: GP15C-06200	DWG NO. ATOM-A06540		
DN. X.XXX	FINISH	APPD:	SCALE SHEET REV		
X.XX		CHKD:	1:1	1/1	AO
X.X	Q'TY	DR:			
X.					
ANGLE ±2°					