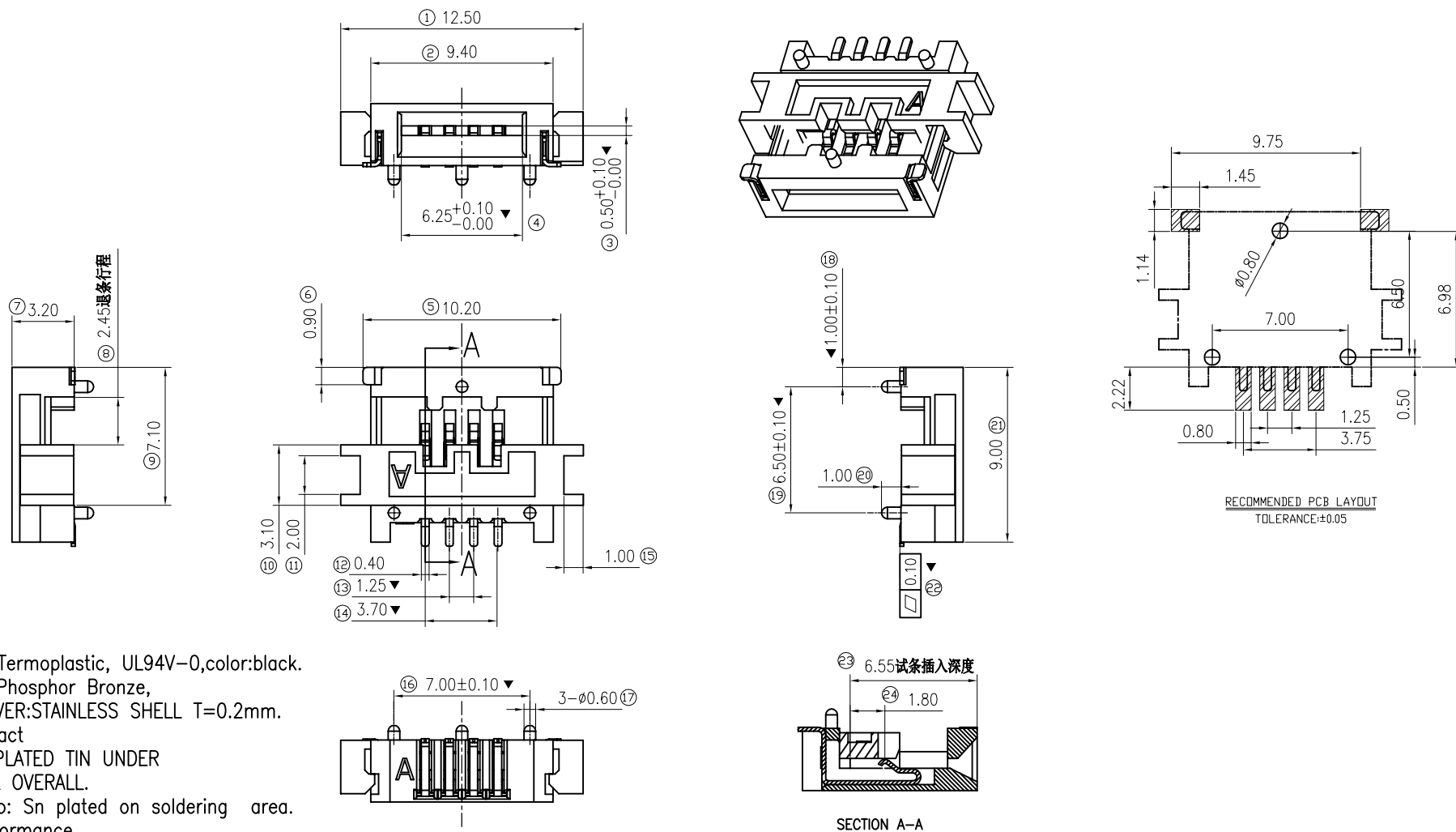


RoHS compliant

REV	DATE	MODIFICATION	APPROVER
A0	2022.09.19	NEW	JAK



- Material:
  - Insulator: Termoplastic, UL94V-0,color:black.
  - Terminal: Phosphor Bronze,
  - SHELL COVER:STAINLESS SHELL T=0.2mm.
- Plating of Contact
  - Terminal:PLATED TIN UNDER PLATED NICKEL OVERALL.
  - solder tab: Sn plated on soldering area.
- Mechanical performance
  - Mating Cycles: 11000 cycles
- Electrical performance:
  - Rating current:0.3A Max.
  - Insulation resistance: 500MΩ Min. at 500 V DC.
  - Terminal contact resistance: 30mΩ Max.
  - Withstanding voltage:500V AC at 1mA Max. for 1 minute.
- Environment performance.
  - Operating temperature: -25℃~ +85℃
  - Storage temperature: -25℃~ +85

GENERAL TOLERANCE				UNITS	NAME:		ATOM <sup>®</sup> 深圳市爱特姆科技有限公司 SHENZHEN ATOM TECHNOLOGY CO.,LTD.		
SELECT	TOL	1	2	3	mm	4P MEDICAL TREATMENT CONNECTOR		TITLE: CUSTOMER DRAWING FOR 4P MEDICAL TREATMENT CONNECTOR	
DN.					MAT'L	PART NO: GP17C-06200		DWG NO. ATOM-A07113	
X.XXX	±0.10	±0.05	±0.15		FINISH	APPD:		SCALE SHEET REV	
X.XX	±0.15	±0.13	±0.25		Q'TY	CHKD:		1:1 1/1 AO	
X.X	±0.20	±0.25	±0.5			DR: ming2022.09.19			
X.	±0.30	±0.36	±1.00						
ANGLE	±2°								