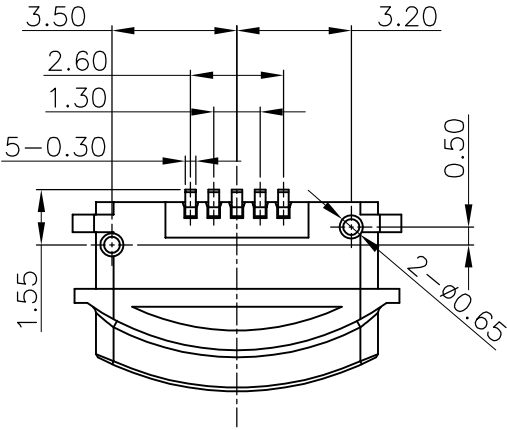
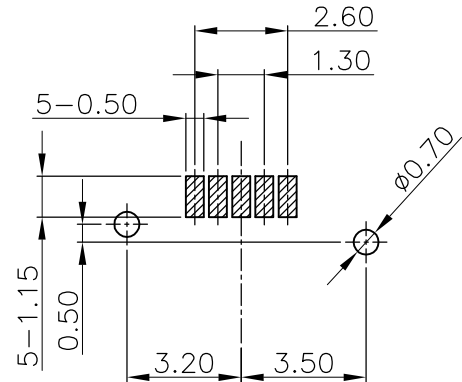
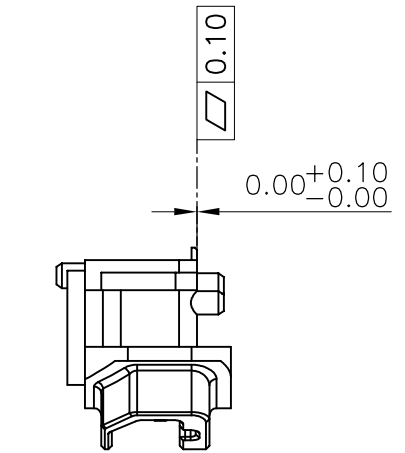


REV	DATE	MODIFICATION	APPROVER
A0	2018.01.11	NEW	Jason

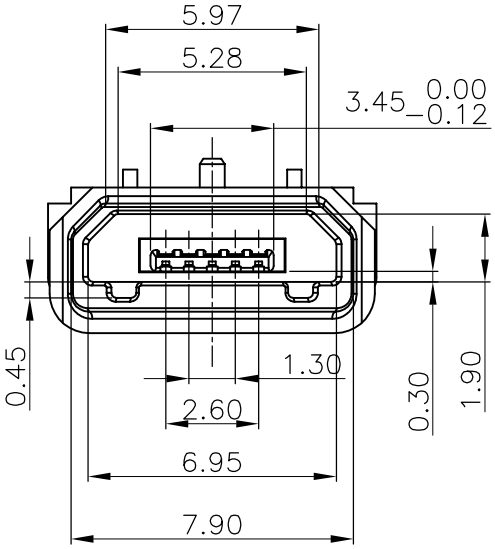
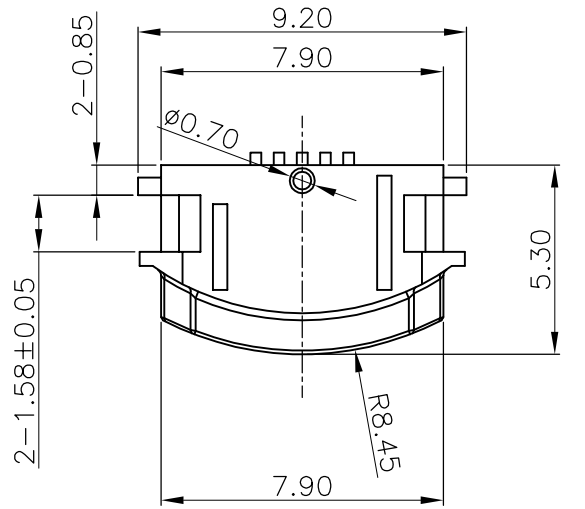


NOTE:

- Materials:
 - Housing: LCP UL94V-0;
 - Contact: C5191; Nickel groud Gold Plated 5u";
 - Cover: PA9T UL94V-0;
- Performance:
 - Current rating: 1.0A;
 - Contact resistance: 30mΩ MAX;
 - Insulation resistance: 1000MΩ MIN 500V DC;
 - Withstand voltage: 250V AC;
 - Solderability: temperature 235±5°C, time 5±0.5s;
 - Retention force: 0.5N MIN;
 - Mating force: 14N MAX, Un-mating force: 1.5N MIN;
 - life: 5000cycles;
 - Resistance to heat: over test: temperature 250±5°C, time 2 minutes;
 - Operating temperature: -30°C~+80°C.



RECOMMENDED P.C BOARD LAYOUT (TOP VIEW)
 TOLERANCES UNLESS OTHERWISE SPEC +/-0.05
 ▨ PAD AREA



GENERAL TOLERANCE				UNITS mm		NAME:		
SELECT	✓			MAT'L		MICRO USB 5P		
TOL	1	2	3			PART NO:		
DN.						USB205FB-C1005208		
X.XXX	±0.10	±0.05	±0.15	FINISH		APPD: Jason		
X.XX	±0.15	±0.13	±0.25	Q'TY		CHKD:		
X.X	±0.20	±0.25	±0.5			DR: LiuDan 2018.01.11		
X.	±0.30	±0.38	±1.00			DWG NO. ATOM-A03818		
ANGLE	±2°					SCALE SHEET REV		
						1:1 1 OF 1 A		

ATOM 深圳市爱特姆科技有限公司
 SHENZHEN ATOM TECHNOLOGY CO., LTD.

TITLE: MICRO USB 5P FEMALE SMT B
 TYPE 带定位柱 防水型

SCALE SHEET REV
 1:1 1 OF 1 A