

REV.	DATE	ECN NO.	MODIFICATION	APPROVER
AO	2023.03.11	/	NEW	Abel

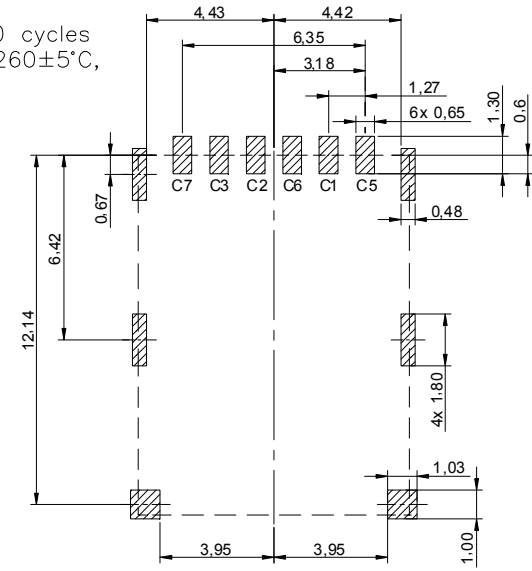
NOTES:

1. MATERIAL:

Housing: LCP ,Black UL94V-0  
 Terminal:C5210,T=0.10±0.03mm  
 Gold Flash on contact area,  
 100u”Tin Plated on Solder area  
 Shell: SUS304 T=0.10mm±0.03mm  
 Nickel Plating 50u”Min  
 Halogen Free and Rohs compliant product

2. Electrical

Rated Current:1.0 A  
 Rated Voltage:15V  
 Ambient Temperature Range: -25°C~+85°C  
 Ambient Humidity Range :95% R.H. Max.  
 Contact Resistance:100mΩ Max  
 Insulation Resistance:500MΩ Min  
 Dielectric Withstanding Voltage:500V AC For one minete  
 Durability:1500 cycles  
 Temperature 260±5°C,



RECOMMENDED PCB LAYOUT

GENERAL TOLERANCE±0.05

GENERAL TOLERANCE			UNITS mm	NAME(INTENDED USE)		<b>ATOM</b> ® 深圳市爱特姆科技有限公司 SHENZHEN ATOM TECHNOLOGY CO., LTD.
SELECT		✓		NANO SIM CARD		
TOL.			MAT'L	PART NO.(INTENDED USE)		TITLE: NANO SIM CARD 6PIN H=1.20
ON.	1	2		3	SI119A-08200	
X.XXX	±0.10	±0.15	±0.20	FINISH	APPD:	DWG NO.: ATOM-A08035
X.XX	±0.15	±0.20	±0.25		CHKD:	
X.X	±0.20	±0.25	±0.30	Q'TY	DR: Allen	SCALE: 1:1
X.	±0.25	±0.30	±0.50		SHEET: 1/1	REV: AO
ANGLE	±2'					