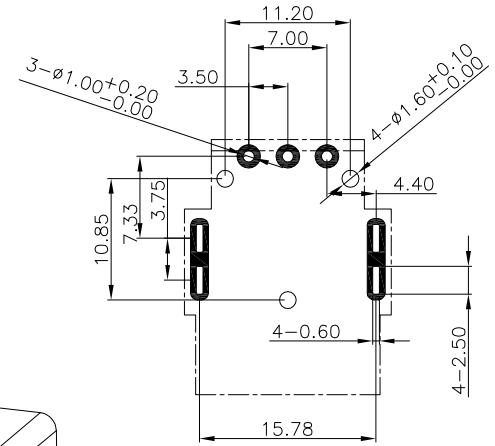
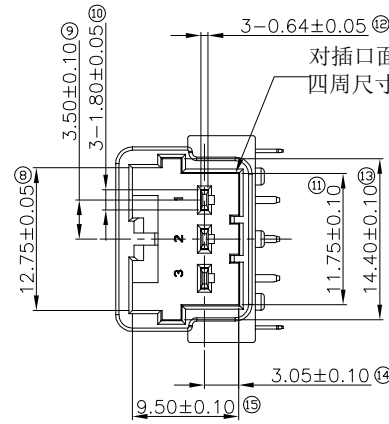
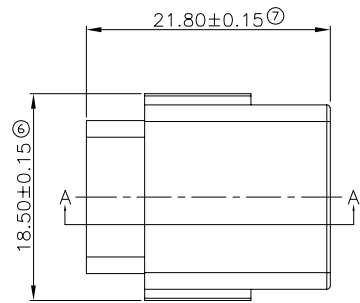
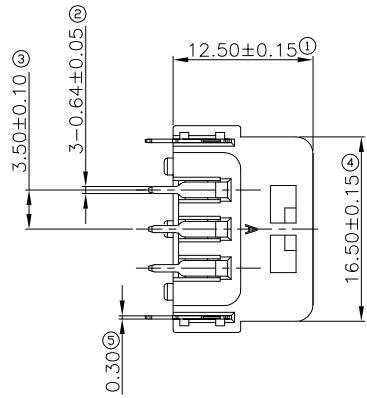
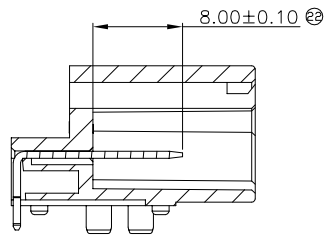


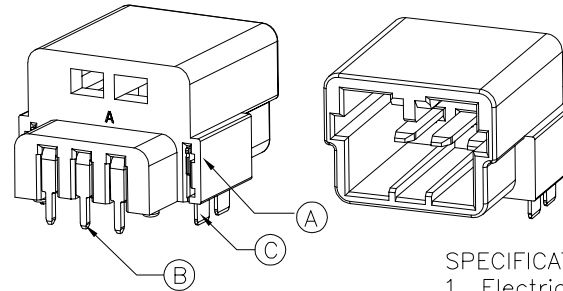
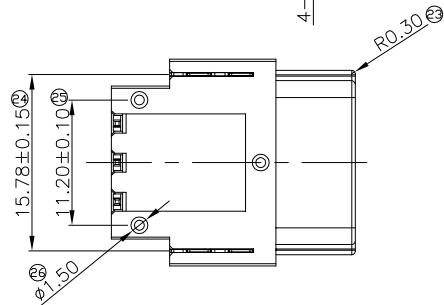
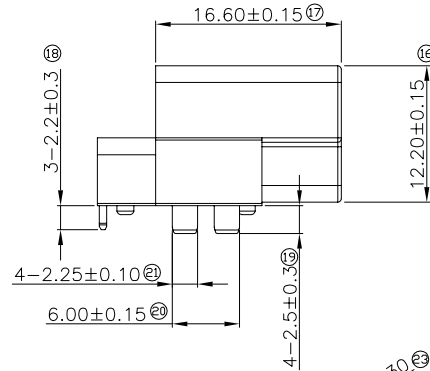
REV	DATE	MODIFICATION	APPROVER
A0	2022.06.26	NEW	ABEL



RECOMMENDED PCB LAYOUT
TOLERANCE: ±0.05
THICKNESS : 0.8mm~1.6mm



SECTION A-A



SPECIFICATION

- Electrical and environment performance
 - Current rating:10A
 - Insulation resistance:100MΩ Min. at 500V DC.
 - Terminal contact resistance:10mΩ Max.
 - Withstanding voltage:1500V(r.m.s.)AC at 1mA Max. for one minute
 - Operating temperature: -30℃ to 105℃
- Packing Regulation:Tube

③	SOLDER	SUS304 T0.3mm		SEE PART NO.	TIN 120u" OVER NICKEL PLATED 50u"
②	TERMINAL	C2680 T0.64mm		SEE PART NO.	TIN120u" OVER NICKEL PLATED 30u"
①	HOUSING	PBT 15%G/F	BLACK	UL94V-0	
NO.	DESCRIPTION	MATERIAL	COLOR	REMARK	SURFACE TREATMENT

GENERAL TOLERANCE		UNITS mm		
SELECT	TOL	1	2	3
DN.				
X.XXX		±0.10	±0.05	±0.15
X.XX		±0.15	±0.13	±0.25
X.X		±0.20	±0.25	±0.5
X.		±0.30	±0.38	±1.00
ANGLE		±2°		

NAME:	PH3.5mm 3PIN 车载排针
PART NO:	PH350003A-27300
APPD:	ABEL
CHKD:	ABEL
DR:	TOM

ATOM 深圳市爱特姆科技有限公司 SHENZHEN ATOM TECHNOLOGY CO., LTD.			
TITLE: CUSTOMER DRAWING FOR PH3.5mm 3PIN 车载排针 DIP 90° L21.8*W18.5*H12.5mm 带焊片带定位柱			
DWG NO.		ATOM-A07084	
	SCALE	SHEET	REV
	1:1	1 OF 1	A0