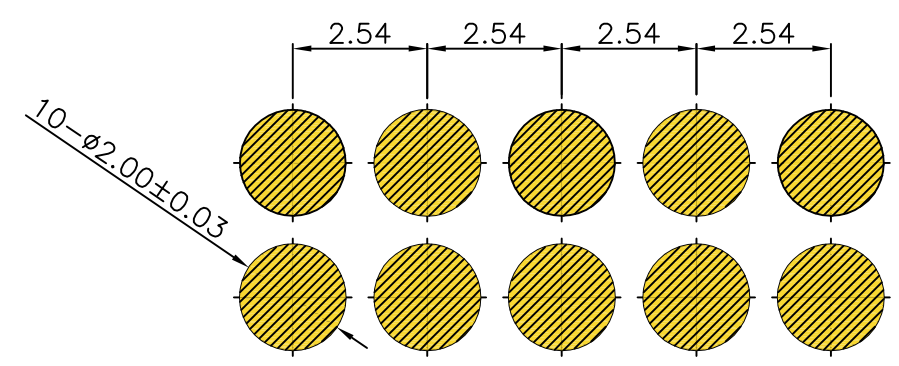
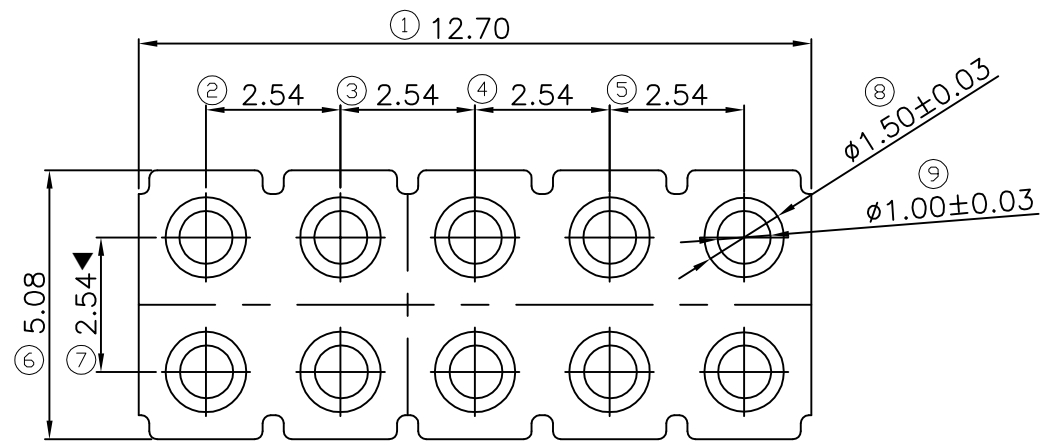
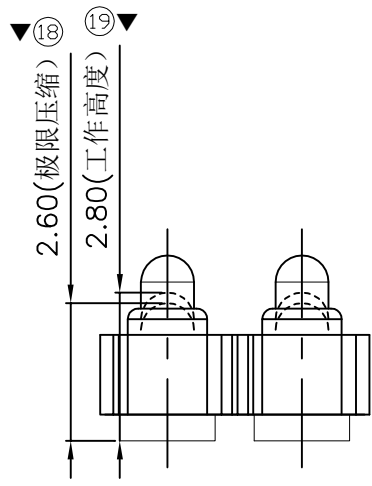
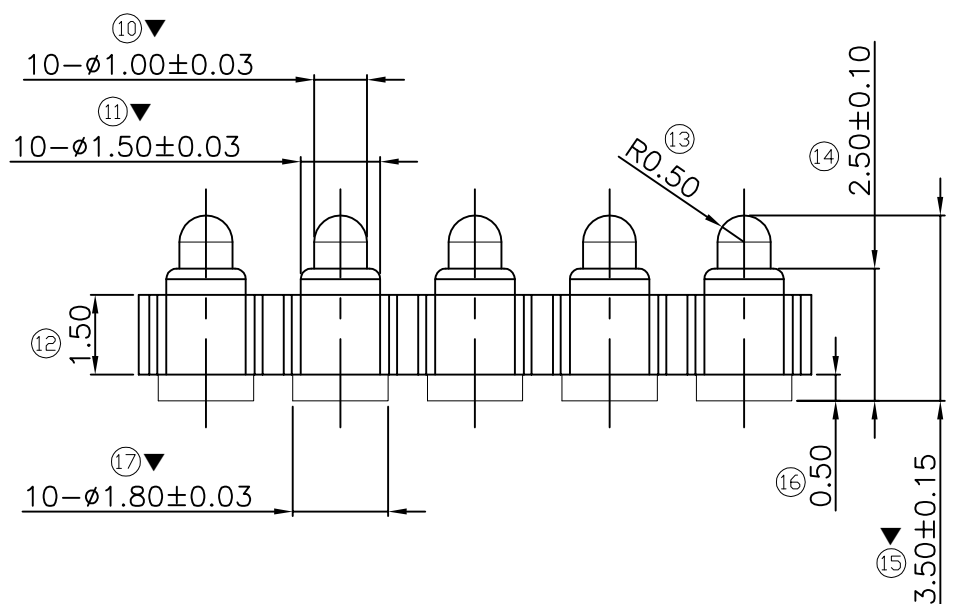


5	6	7	8
REV.	DATE	ECN NO.	MODIFICATION
AO	2024.7.25	/	NEW
			APPROVER
			Abel



RECOMMEND PCB LAYOUT
Layout Tolerance: $\pm 0.05\text{mm}$



NOTE:
1.Material:
1.1 Plunger:C3604,
Gold 3u" Plated over Nickel 50-120u"
1.2 Barrel:C3604,
Gold 3u" Plated over Nickel 50-120u"
1.3 Spring:SUS304
Gold 1u" Plated over Nickel 50-120u"
1.4 Housing:PA9T,UL94V-0 Black
2.Electrical:
2.1 Current Rating: 1.0A,
2.2 Voltage Rating: 12V.
2.3 Contact Resistance: 50mΩ
2.4 Insulation Resistance: 100MΩ Min
2.5 Dielectric Withstanding: AC 500V 1Minute.
3. Mechanical:
3.1 Durability:10000 cycles Min
3.2 Elastic Force:60g±20%
4. Environments:
4.1 Salt spray test:48H
4.2 Operating Environment Temperature:-40℃~+85℃
Major Dimension:▼
Products meet ROHS environmental requirements

PG00001-A300201
产品代码:POGO PIN
产品间距:2.54
产品PIN位
预留码
1:管装 2:卷装 3:盘装 4:袋装
产品高度:H=3.5
产品类型:公座

GENERAL TOLERANCE			UNITS	mm	NAME(INTENDED USE)	ATOM® 深圳市爱特姆科技有限公司 SHENZHEN ATOM TECHNOLOGY CO., LTD.			
SELECT	✓		MATERIAL		POGO PIN	PART NO.(INTENDED USE)			
TOL.	1	2			3	PG25410-M350400	TITLE: Customer Drawing For POGO PIN 2.54mm 2*5P L=3.5mm 公座		
ON.			FINISH		APPD:	Abel	DWG NO.:		
X.XXX	±0.10	±0.15			±0.20	CHKD:	PZK	ATOM-A11496	
X.XX	±0.15	±0.20	±0.25	Q'TY	DR:	XCF	SCALE	SHEET	REV.
X.X	±0.20	±0.25	±0.30		DR: XCF		1:1	1/1	AO
X.	±0.25	±0.30	±0.50						
ANGLE	±2'								