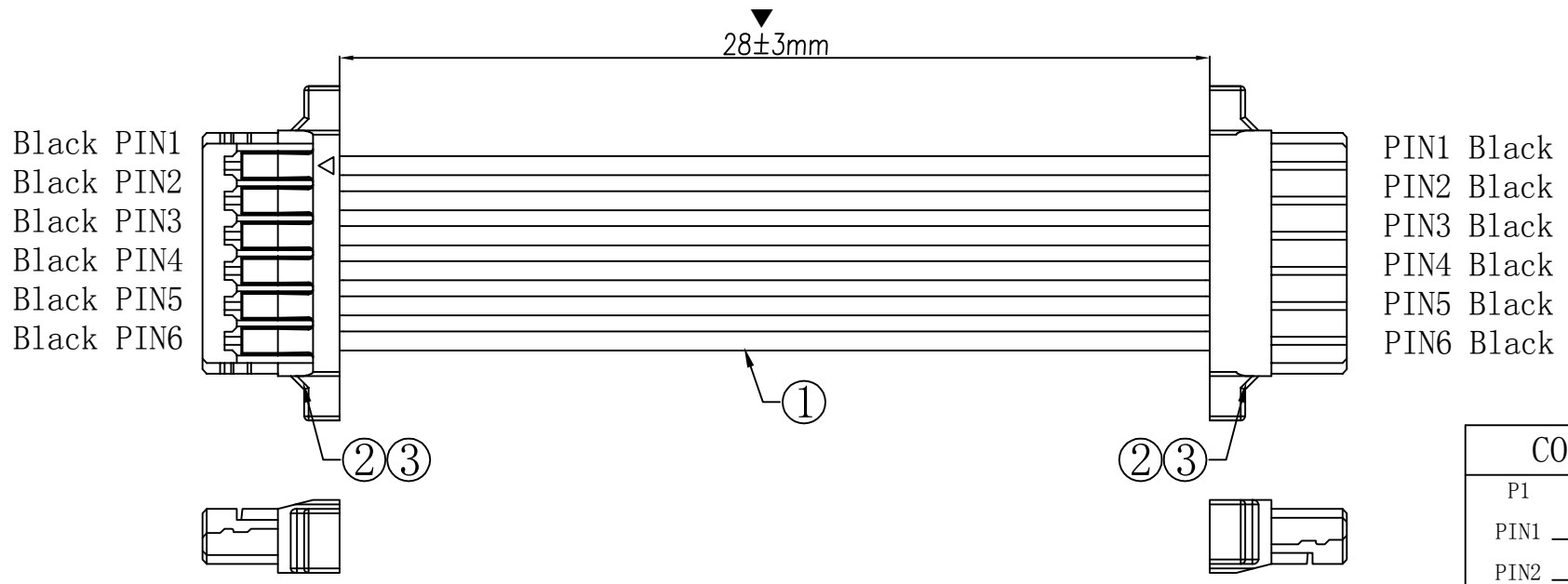


5	6	7	8
REV.	DATE	ECN NO.	MODIFICATION
AO	2025.11.25	/	NEW
			APPROVER
			Abel

I. Product Illustration

P1 terminal: Assembled 0.8-6 pins (with ears)

P2 terminal: Assembled 0.8-6 pins (with ears)



CONNECTION		
P1		P2
PIN1	Black	PIN1
PIN2	Black	PIN2
PIN3	Black	PIN3
PIN4	Black	PIN4
PIN5	Black	PIN5
PIN6	Black	PIN6

CB1932125400

- Reserved code
- 1: Tube packaging 2: Roll packaging
- 3: Tray packaging 4: Bag packaging
- Serial code
- Line number code: 32AWG
- Product classification code: UL10064
- Product Code: Wire

Ii. Technical Requirements

- The product must be 100% conductive, without short circuits or misalignment of the breaking poles.
- Comply with RoHS requirements.
- The wires must not have any defects such as damage, indentation, injury or copper leakage.
- It is required that the finished products must not have any defects such as missing pins, misalignment, or rubber coating.
- The tail end should be peeled off and tinned smoothly without any flying wires.

③	Housing	Pitch: 0.8mm(SUHR) 6-pin beige rubber shell assembly type with ears H008006-01404	PCS	2
②	terminal	Pitch: 0.8mm(SUHR) phosphor bronze gold-plated terminal TR080010148200	PCS	12
①	Wire	UL10064 32AWG (7/0.08TS) OD:0.38mm Black *6PCS Cut length :36mm*6PCS FEP material	M	0.216
serial number	name	Detailed description	unit	dosage

GENERAL TOLERANCE			UNITS mm	NAME(INTENDED USE)	深圳市爱特姆科技有限公司 SHENZHEN ATOM TECHNOLOGY CO., LTD.		
SELECT	TOL.	ON.					
X.XXX	±0.10	±0.15	±0.20	Wire	TITLE:Customer Drawing For UL10064 32AWG 0.8-6P (Assembled type with ears)/0.8-6P(assembled type with ears) black electronic wire L=28mm opposite plane		
X.XX	±0.15	±0.20	±0.25				
X.X	±0.20	±0.25	±0.30	FINISH	PART NO.(INTENDED USE) CB1932125400		
X.	±0.25	±0.30	±0.50				
ANGLE	±2'			Q'TY	APPD: Abel CHKD: Vicky DR: WSY		
					DWG NO.: ATOM-A11986		
					SCALE	SHEET	REV.
					1:1	1/1	AO