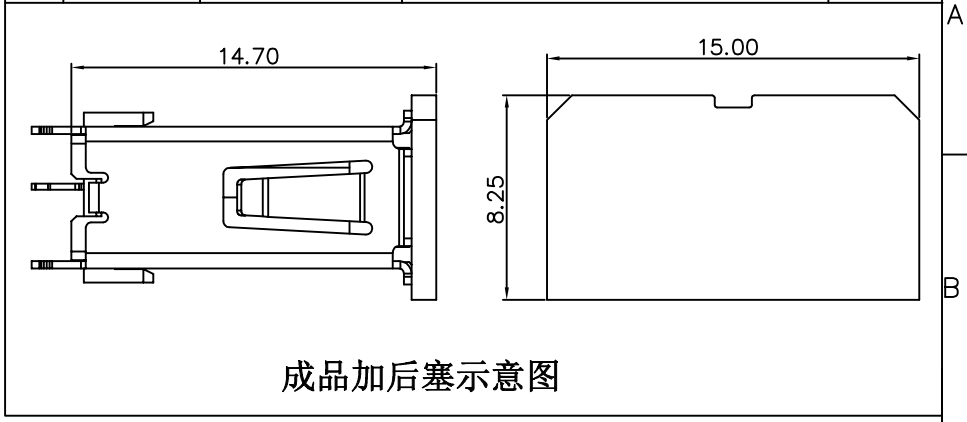
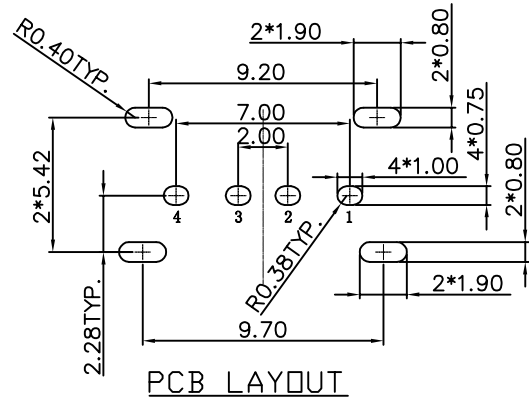
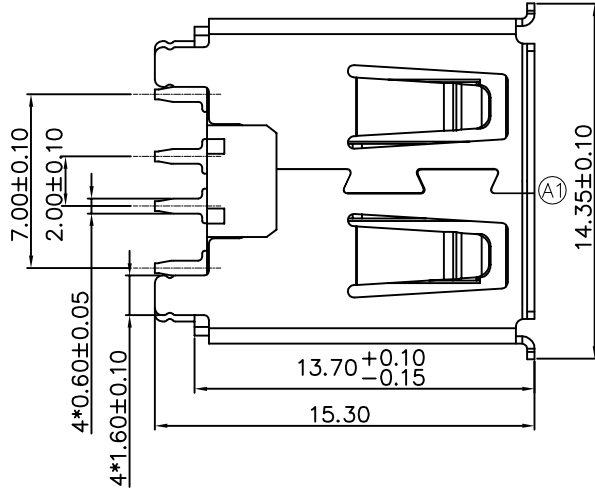
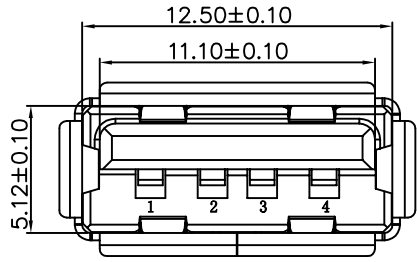
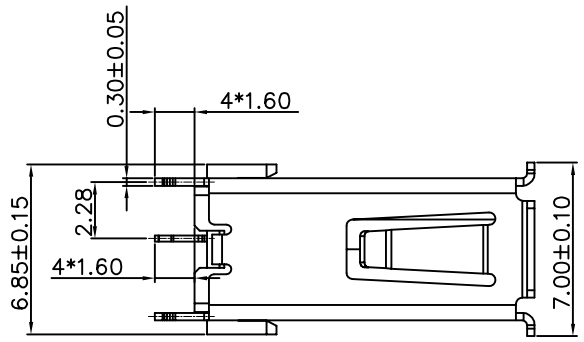


REV.	DATE	ECN NO.	MODIFICATION	APPROVER
A	2016/12/20		NEW	Jason
A1	2018/10/11	RD0032018101101	外壳铆合结构变更	Jason



成品加后塞示意图



PCB LAYOUT

Specifications:

Electrical:

- 1.Current Rating: 2.1A/contact terminal
- 2.Voltage Rating: 30V DC
- 3.Contact Resistance: 30 milliohms Max
- 4.Dielectnic Withstanding Voltage: 500V AC AT Sea Level
- 5.Insulation Resistance: 1000MEGA ohms MIN

Material:

- 1.Housing: LCP UL94V-0
- Color: Black
- Contact: Copper Alloy
- Shell: SUS304
- Finish: Contact: Plated Gold in Mating Area; Tin on Solder Tails
- Shell: Nickel plating

1	VBUS
2	D-
3	D+
4	GND

GENERAL TOLERANCE				UNITS	NAME:		
SELECT	✓			mm	USB A/F 4P DIP		
TOL	1	2	3	MAT'L	PART NO:		
X.XXX	±0.15	±0.05	±0.15		USB304FA-B1035202		
X.XX	±0.25	±0.13	±0.25	FINISH	APPD: JASON		
X.X	±0.30	±0.25	±0.50		CHKD: VICKY		
X.	±0.38	±0.38	±1.00	Q'TY	DR: JACK		
ANGLE	±5°				DWG NO. ATOM-A03285		
					TITLE: USB A/F 4P DIP 180° 短体直脚 H=13.7		
					SCALE SHEET REV		
					1:1 1/1 A		

ATOM 深圳市爱特姆科技有限公司
SHENZHEN ATOM TECHNOLOGY CO., LTD.

