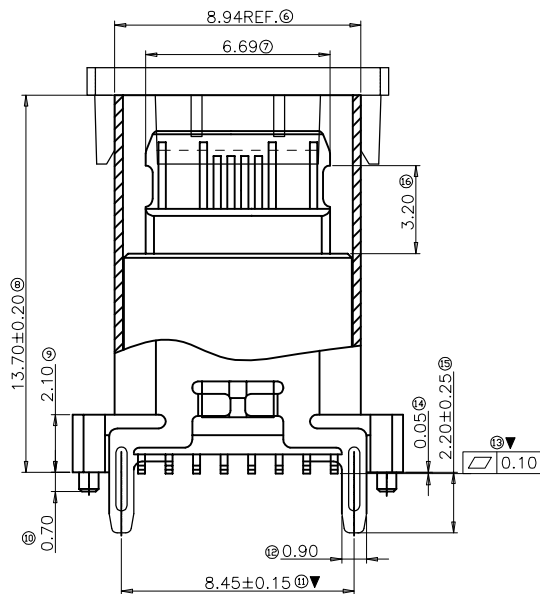
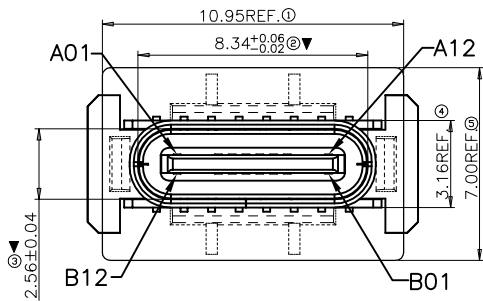
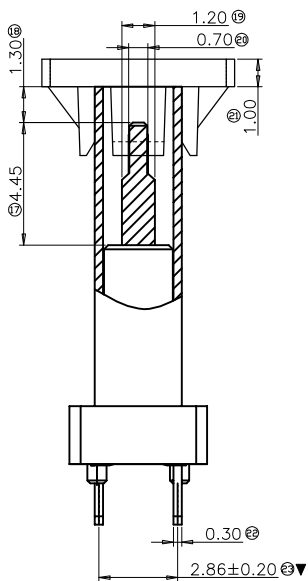


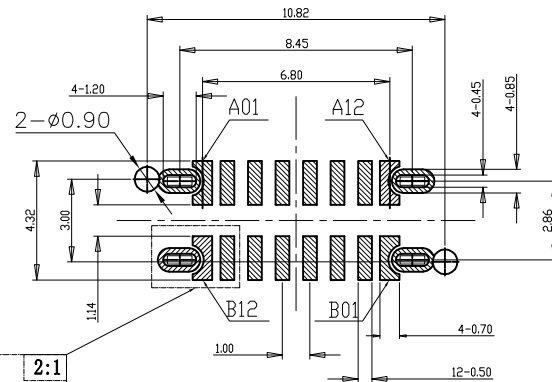
REV.	DATE	ECN.NO	MODIFY.CONTENT	APPROVER
A0	2020.05.12		初版发行	JASON



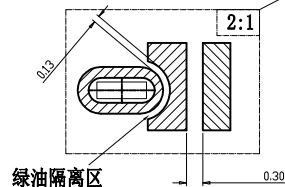
剖视图



剖视图



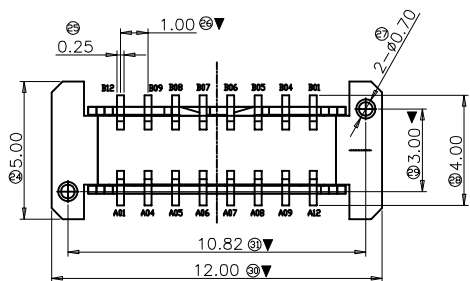
RECOMMENDED P.C.B. LAYOUT (俯视图)
TOLERANCE UNSPECIFIED ±0.05mm



绿油隔离区

Note:

- Material:
 - Housing: LCP, UL94V-0
 - Contact: C18400, t=0.15mm, Au 3u" plated on the contact area, soldering area Au 1u" Min.
 - Shell: SUS304 t=0.30mm, Ni 50u" Min under plated over all.
 - Electrical:
 - Current Rating: 5.0A
 - Contact Resistance: 40mΩ max
 - Dielectric withstanding voltage: 150V AC
 - Insulation Resistance: 150V DC/100MΩ MIN
 - Mechanical characteristics:
 - Mating force: 5~20N
 - Unmating force: 8~20N (Initial)
 - Durability: 10000 cycles
 - Operating temperature: -40°C ~ +85°C
- MAJOR DIMENSION: ▼
LEAD FREE AND RoHS COMPLIANT PRODUCT



AI	GND	B12	GND	GENERAL TOLERANCE	UNITS	NAME (INTENDED USE)
A4	VBUS	B9	VBUS	SELECT	mm	USB
A5	CC1	B8	SBU2	✓	MAT'L	
A6	D+	B7	D-	1 2 3	FINISH	PART NO. (INTENDED USE)
A7	D-	B6	D+	X.XXX ±0.10 ±0.15 ±0.20		USB616FC-D2014202
A8	SBU1	B5	CC2	X.XX ±0.15 ±0.20 ±0.25	Q'TY	APPD: Abel
A9	VBUS	B4	VBUS	X.X ±0.20 ±0.25 ±0.30		CHKD: Frank
A12	GND	B1	GND	X. ±0.25 ±0.30 ±0.50	DR: Ling	DWG NO.: ATOM-A07447
PIN	SIGNAL NAME	PIN	SIGNAL NAME	ANGLE ±3°		SCALE 1:1

SCALE	SHEET	REV.
1:1	1/1	A0

ATOM 深圳市爱特姆科技有限公司
SHENZHEN ATOM TECHNOLOGY CO., LTD.

TITLE: Customer' drawing for USB TYPE-C 16P FEMALE
立式SMT 外壳四脚插板 带定位柱 H=13.7 带夹持盖

