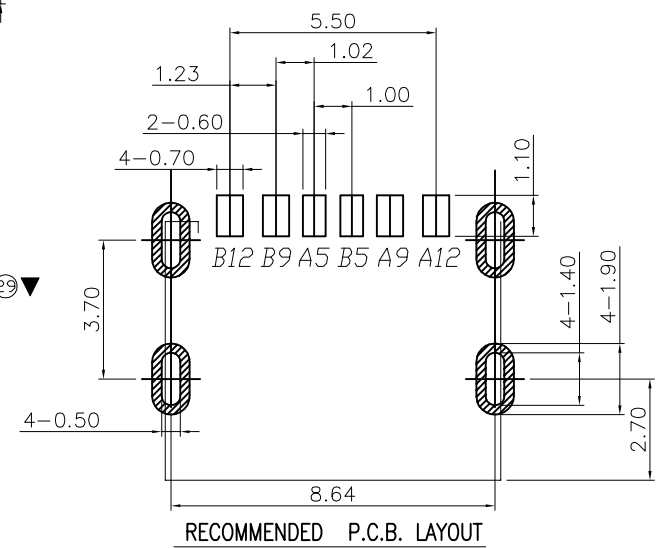
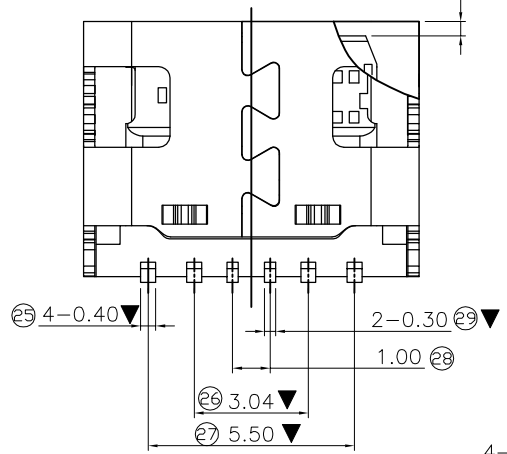
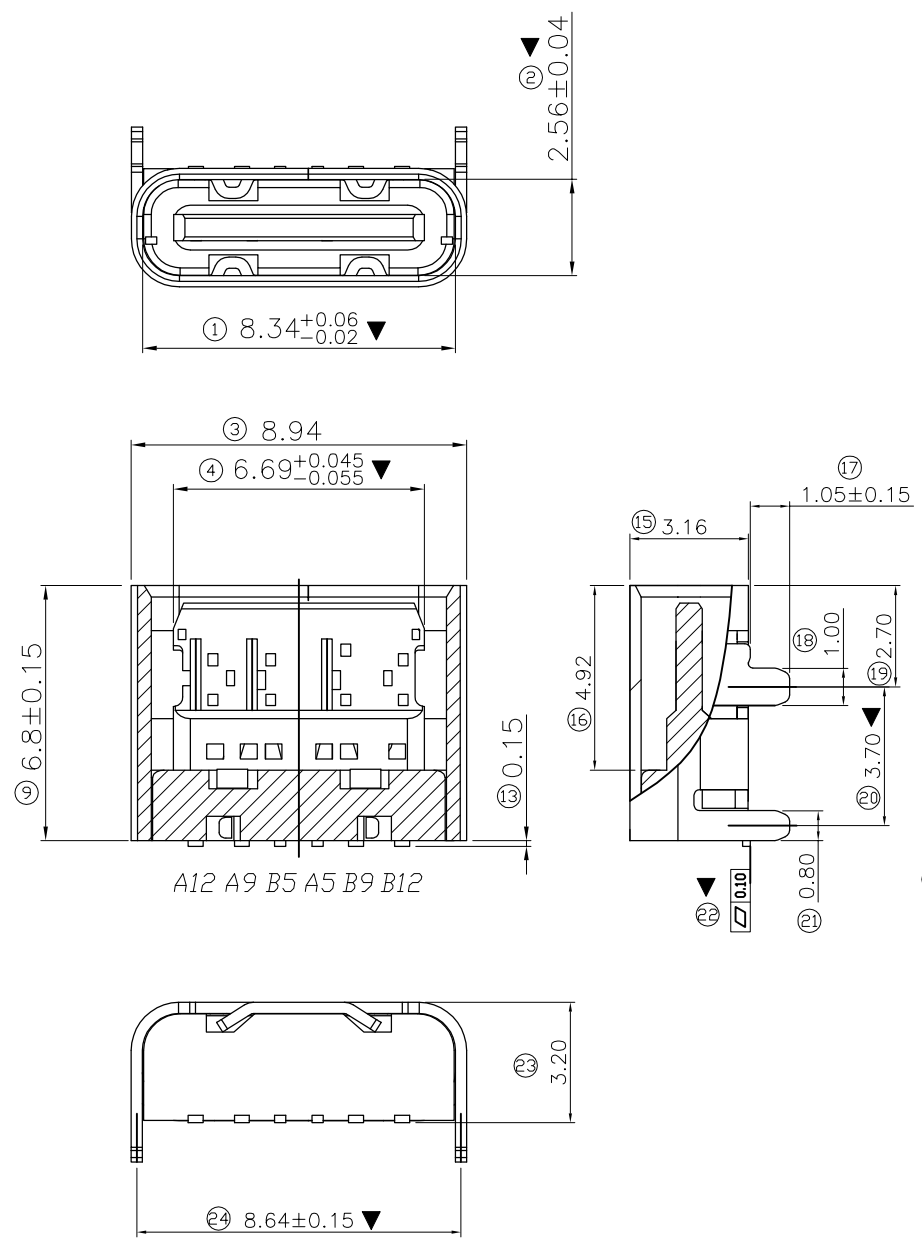


REV.	DATE	ECN.NO	MODIFY.CONTENT	APPROVER
A0	2021.06.25		初版发行	JASON

B12	GND
B9	VBUS
B5	CC2
A5	CC1
A9	VBUS
A12	GND
PIN	SIGNAL NAME

NOTE:  
 1.MATERIAL SPECIFICATION:  
 1-1.HOUSING:HIGH TEMPERATURE RESISTANT PLASTIC,UL94 V-0.  
 1-2.Contact: COPPER ALLOY  
 1-3.SHELL: SUS  
 1-4.CARD HOOK: SUS  
 2.PLATING SPECIFICATION:  
 2-1.CONTACT:  
 CONTACT POINT GOLD PLATING 1U"MIN  
 GOLD PLATING 1U"MIN  
 2-2. SHELL:  
 Ni. UNDER PLATED OVER ALL.  
 3.MECHANICAL PERFORMANCE,  
 3-1.INSERTION FORCE: 5N~20N.  
 3-2.REMOVAL FORCE: 8N~20N.  
 3-3.DURABILITY: 10000 CYCLES.  
 4.ELECTRICAL PERFORMANCE,  
 4-1.CURRENT RATING: 3A MAX.  
 4-2.VOLTAGE RATING:20V  
 4-3.CONTACT RESISTANCE: 40mΩ MAX.  
 4-4.INSULATION RESISTANCE: 100MΩ MIN  
 4-5.DIELECTRIC WITHSTAND VOLTAGE,AC 150V AC/1mA MAX  
 ENVIRONMENTAL PERFORMANCE:  
 OPERATING TEMPERATURE: -40°C~+85°C.  
 MAJOR DIMENSION:▼  
 LEAD FREE AND ROHS COMPLIANT PRODUCT



GENERAL TOLERANCE			UNITS	NAME(INTENDED USE)		深圳市爱特姆科技有限公司 SHENZHEN ATOM TECHNOLOGY CO.,LTD.
SELECT	✓		mm	USB		
TOL.	1	2	MAT'L	PART NO.(INTENDED USE)		TITLE: Customer' drawing for USB TYPE-C 6P FEMALE SMT 单排 外壳脚长1.05 四脚插板 L=6.80 外壳兼容48H B款 (端子外漏0.15MM)
ON.	1	2	FINISH	USB06FC-C2014207		
X.XXX	±0.10	±0.15	Q'TY	APPD:	Abel	DWG NO.:
X.XX	±0.15	±0.20		CHKD:	Frank	ATOM-A07014
X.X	±0.20	±0.25		DR:	XCF	SCALE
X.	±0.25	±0.30				1:1
ANGLE	±3°					SHEET
						1/1
						REV.
						A0