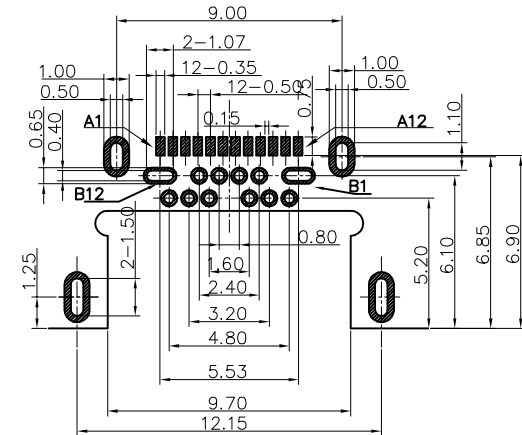
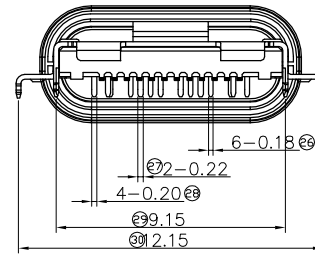
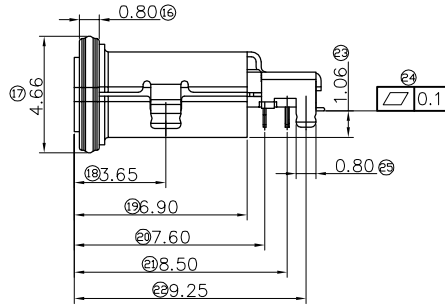
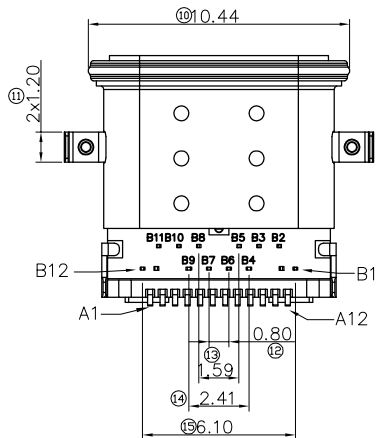
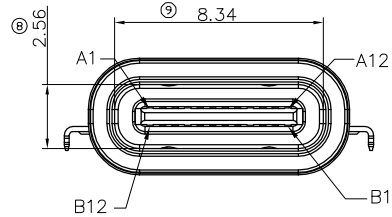
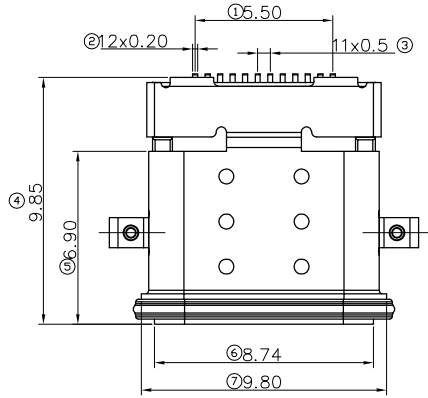


REV.	DATE	ECN NO.	MODIFICATION	APPROVER
A	2017/09/21	/	NEW	Jason



RECOMMEND PCB LAYOUT  
TOL=±0.05

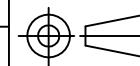
NOTES:

- ELECTRICAL:
    - Contact current rating: 5A(Max)
    - Contact rated voltage: 30VAC
    - Contact resistance: initial: Power Pin 30mohm max, other contacts Pin40mohm max, after durability: change of +10mohm
    - Insulation resistance: 100 Mohm Min
    - Withstanding strength: 100V AC For 1Minute
  - Material & Finish:
    - Shell : Stainless steel, Ni plating over all.
    - Contact: Copper alloy, Au plating on contact area, Tin plating on solder area(DIP PIN), Au plating on solder area(SMT PIN), Ni under plating over all.
  - MECHANICAL CHARACTERISTICS:
    - MATING FORCE: 5~20N
    - UNMATING FORCE: 8~20N
    - Durability 10000 cycles.
    - FREQUENCY: 200±50 CYCLES /HOUR, 10000 CYCLES
    - OPERATING TEMPERATURE : -40°~80°.
  - WATERPROOF: IP-X7
- LEAD FREE AND ROHS COMPLIANT PRODUCT

USB TYPE-C PIN ASSIGNMENTS

PIN NUMBER	SIGNAL NAME	PIN NUMBER	SIGNAL NAME
A1	GND	B12	GND
A2	SSTXp1	B11	SSRXp1
A3	SSTXn1	B10	SSRXn1
A4	Vbus	B9	VBUS
A5	CC1	B8	SBU2
A6	Dp1	B7	Dn2
A7	Dn1	B6	Dp2
A8	SBU1	B5	CC2
A9	Vbus	B4	Vbus
A10	SSRXn2	B3	SSTXn2
A11	SSRXp2	B2	SSTXp2
A12	GND	B1	GND

GENERAL TOLERANCE				UNITS	mm	NAME:	USB		
SELECT	TOL.	1	2					3	
✓						PART NO: USB624FC-C2052202	TITLE: Customer drawing for USB 3.1 24P FEMALE SMT+DIP 90°C TYPE 沉板式1.06 外壳四脚插板 防水型		
						APPD: Jason	DWG NO. ATOM-A05318		
						CHKD: Abel	SCALE	SHEET	REV
						DR: Jessica	1:1	1/1	A



SCALE	SHEET	REV
1:1	1/1	A