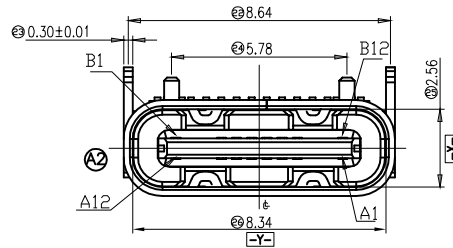
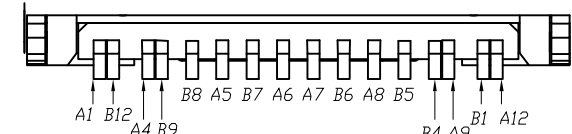
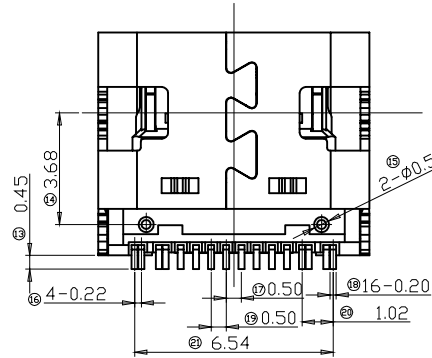
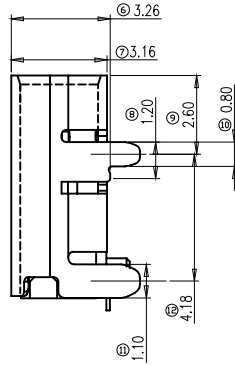
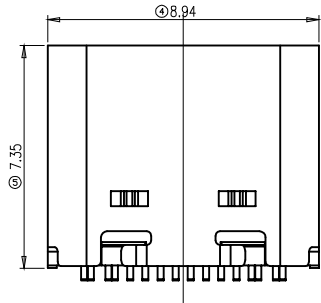
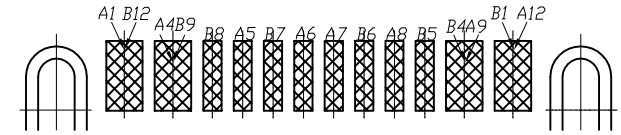
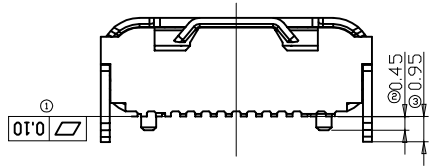
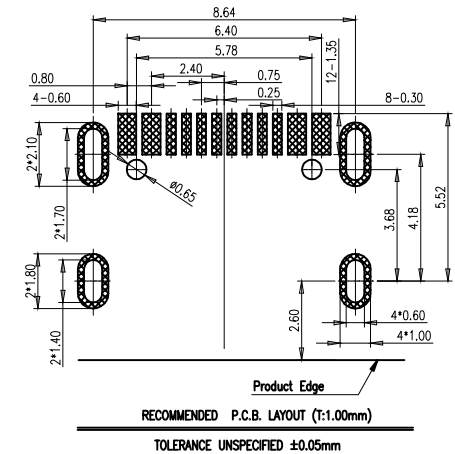


REV.	DATE	ECN NO.	MODIFICATION	APPROVER
A0	2017.12.21	/	NEW	Jason
A1	2021.05.28	RD00321052803	更新图面	Jason
A2	2022.03.04	RD00322030401	更新图面	Jason



USB TYPE-C PIN ASSIGNMENTS

PIN NUMBER	SIGNAL NAME	PIN NUMBER	SIGNAL NAME
A1	GND	B12	GND
A4	VBUS	B9	VBUS
A5	CC1	B8	SBU2
A6	Dp1	B7	Dn2
A7	Dn1	B6	Dp2
A8	SBU1	B5	CC2
A9	VBUS	B4	VBUS
A12	GND	B1	GND



Notes:

- 1.Operation voltage: 20V AC max.
- 2.Current rating 5.0Amps max.
- 3.Contact resistance:40mΩ max.Change of all pins 10mΩ
- 4.Insulation resistance: 100MΩ min.
- 5.Dielectric withstanding voltage: 100 VAC / 1minute
- 6.Operating Temperature: -45°C to +85°C
- 7.Insertion force:5~20N
- 8.Removal force:8~20N
- 9.Durability: 10000 cycles.
- 10.Salt spray: 48H(shell)

MATERIAL

- 1.Housing:Thermoplastic(UL 94V-0)
 - 2.Contacts:Copper alloy
 - 3.Shell:Stainless steel
- Plating:
- 1.Contacts:Gold plated,Nickel underplating over all
 - 2.Shell:Nickel plated.
- Lead free and ROHS compliant product.

GENERAL TOLERANCE			UNITS mm	NAME(INTENDED USE)	ATOM® 深圳市爱特姆科技有限公司 SHENZHEN ATOM TECHNOLOGY CO., LTD.		
SELECT	TOL	ON.			USB	TITLE: Customer Drawing For USB TYPE-C 16P FEMALE SMT 单排 带柱 外壳四脚插板 L=7.35 (电流5A, 外壳盐雾48H)	
X.XXX	±0.10	±0.15	±0.20	PART NO.(INTENDED USE)	DWG NO.:		
X.XX	±0.15	±0.20	±0.25	USB616FC-C2014216	ATOM-A05877		
X.X	±0.20	±0.25	±0.30	APPD: Jason	SCALE	SHEET	REV.
X.	±0.25	±0.30	±0.50	CHKD: Vicky	1:1	1/1	A2
ANGLE	±2'			DR: Jillian			