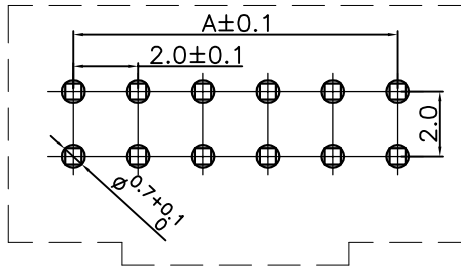
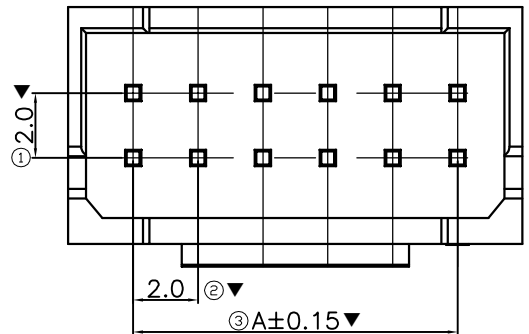
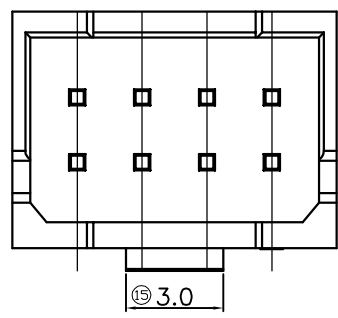
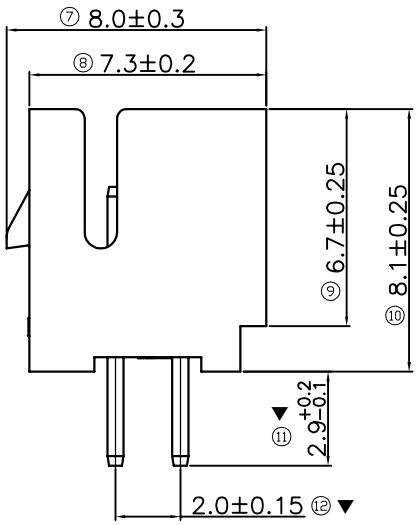
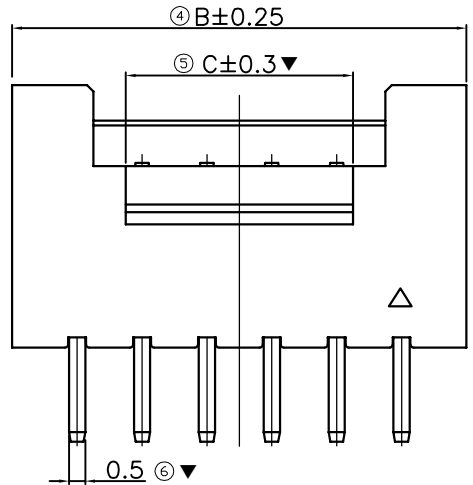


REV.	DATE	ECN NO.	MODIFICATION	APPROVER
AO	2021.09.18		NEW	Jason

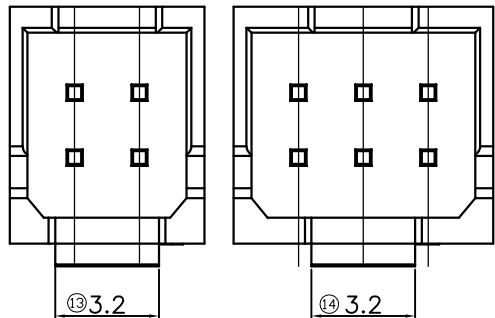
适用线路板



SPECIFICATIONS:
 1.Current Rating: 3Amp AC/DC
 2.Voltage Rating: 250V AC/DC(rms)
 3.Contact Resistance:20mΩ MAX
 4.Insulation Resistance: 1000MΩ min
 5.Dielectric Withstanding: 800V AC/minute
 6.Operating Temperature: -25°C~+85°C
 Electrical Characteristics:
 1.Contact: Copper Alloy TIN Plated over Nickel
 2.Housing: Thermoplaitec UL94V-0 Natural



4P 结构样式



2~3P结构样式

CKT	DIM A	DIM B	DIM C
2*2	2.0	6.0	3.2
2*3	4.0	8.0	3.2
2*4	6.0	10.0	3.0
2*5	8.0	12.0	5.0
2*6	10.0	14.0	7.0
2*7	12.0	16.0	9.0
2*8	14.0	18.0	11.0
2*9	16.0	20.0	13.0
2*10	18.0	22.0	15.0
2*11	20.0	24.0	17.0
2*12	22.0	26.0	19.0
2*13	24.0	28.0	21.0
2*14	26.0	30.0	23.0
2*15	28.0	32.0	25.0
2*16	30.0	34.0	27.0
2*17	32.0	36.0	29.0
2*18	34.0	38.0	31.0
2*19	36.0	40.0	33.0
2*20	38.0	42.0	35.0
2*21	40.0	44.0	37.0
2*22	42.0	46.0	39.0

GENERAL TOLERANCE			UNITS mm	NAME(INTENDED USE) WF	ATOM ® 深圳市爱特姆科技有限公司 SHENZHEN ATOM TECHNOLOGY CO., LTD.
SELECT	✓				
TOL.			MAT'L	PART NO.(INTENDED USE) WF200**-09***	TITLE: Customer Drawing ForWafer2.0mm 2*XP DP 180°带扣
ON.	1	2			
X.XXX	±0.10	±0.15	FINISH	APPD: Abel	DWG NO.: ATOM-A06886
X.XX	±0.15	±0.20			
X.X	±0.20	±0.25	Q'TY	CHKD: TOM	SCALE: 1:1
X.	±0.25	±0.30			
ANGLE	±2'			DR: XCF	SHEET: 1/1
					REV: AO