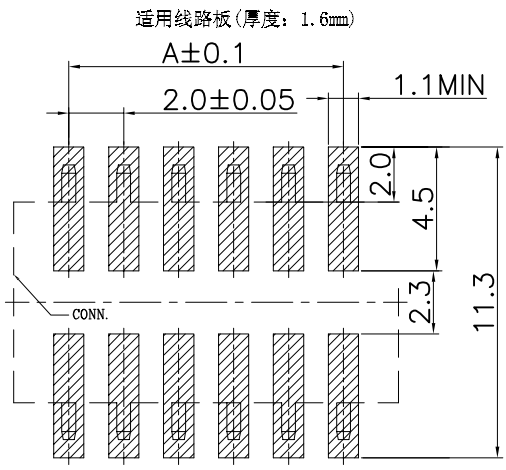
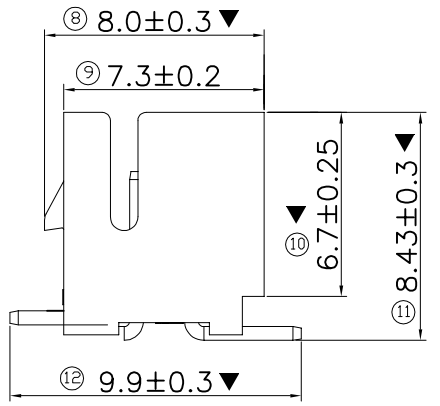
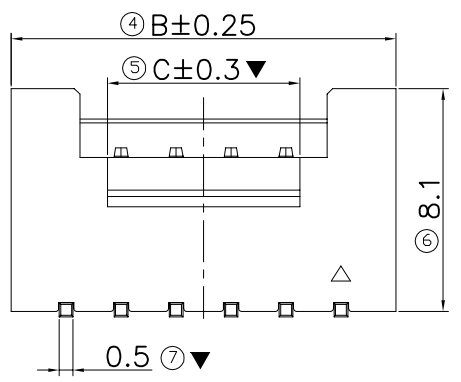
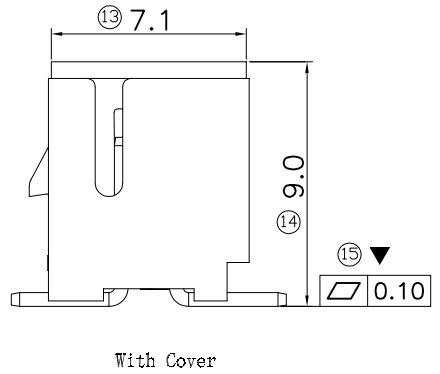
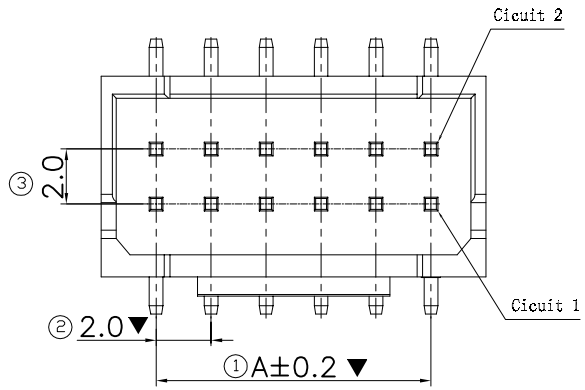
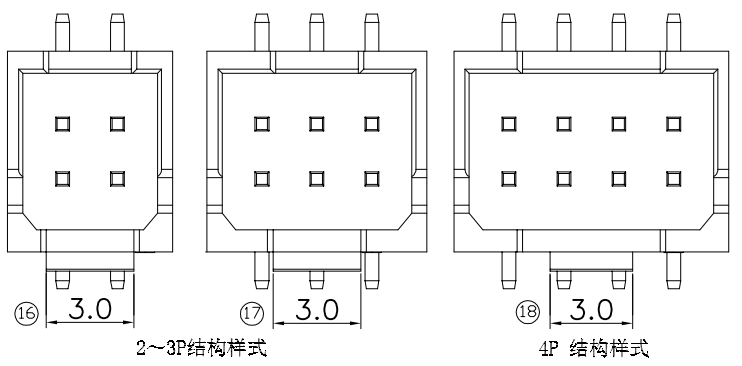


REV.	DATE	ECN NO.	MODIFICATION	APPROVER
AO	2021.06.23	/	NEW	Jason

Specifications:
 Material:
 1.Housing:Thermopiastic,Natural,UL94V-0
 2.Suction cap:Thermopiastic,Natural,UL94V-0
 3.Contact:Copper alloy.
 Tin plated over Nickel plated
 Electrical:
 1.Current Rating: 3A AC/DC (AWG#28~#22)
 2.Voltage Rating:250V AC/DC(rms)
 3.Contact Resistance: 20mΩ MAX
 4.Dielectric Withstanding Voltage: 800V AC/minute
 5.Insulation Resistance: 1000MΩ MIN
 Environment characteristics:
 1.Operating Temperature:-25°C~+85°C
 Major Dimension:▼
 Lead free and ROHS compliant product.



CKT	A	B	C
2*2pin	2.0	6.0	3.2
2*3pin	4.0	8.0	3.2
2*4pin	6.0	10.0	3.0
2*5pin	8.0	12.0	5.0
2*6pin	10.0	14.0	7.0
2*7pin	12.0	16.0	9.0
2*8pin	14.0	18.0	11.0
2*9pin	16.0	20.0	13.0
2*10pin	18.0	22.0	15.0
2*11pin	20.0	24.0	17.0
2*12pin	22.0	26.0	19.0
2*13pin	24.0	28.0	21.0
2*14pin	26.0	30.0	23.0
2*15pin	28.0	32.0	25.0
2*16pin	30.0	34.0	27.0
2*17pin	32.0	36.0	29.0
2*18pin	34.0	38.0	31.0
2*19pin	36.0	40.0	33.0
2*20pin	38.0	42.0	35.0
2*21pin	40.0	44.0	37.0
2*22pin	42.0	46.0	39.0



GENERAL TOLERANCE			UNITS	NAME(INTENDED USE)	ATOM [®] 深圳市爱特姆科技有限公司 SHENZHEN ATOM TECHNOLOGY CO., LTD.
SELECT	TOL.	ON.	mm	WF	
1	2	3	MATERIAL	PART NO.(INTENDED USE)	TITLE: Customer Drawing For Wafer 2.0mm 2*XP SMT 立贴 带扣 带夹持盖 连绕端子
X.XXX	±0.10	±0.15		±0.20	WF200**--05***
X.XX	±0.15	±0.20	±0.25	FINISH	DWG NO.: ATOM-A06904
X.X	±0.20	±0.25	±0.30		APPD: Able
X.	±0.25	±0.30	±0.50	Q'TY	CHKD: TOM
ANGLE	±2'				DR: XCF

SCALE	SHEET	REV.
1:1	1/1	AO