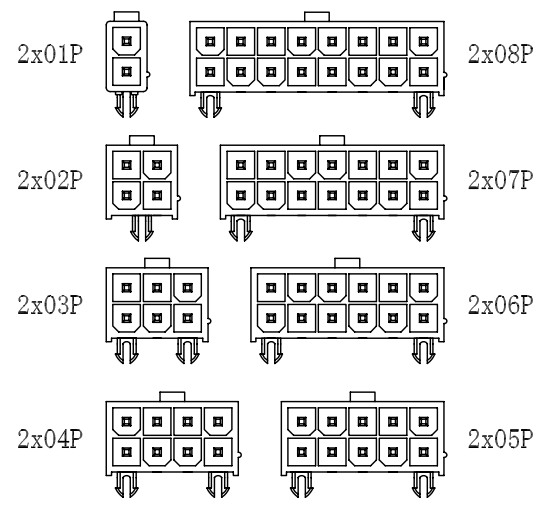
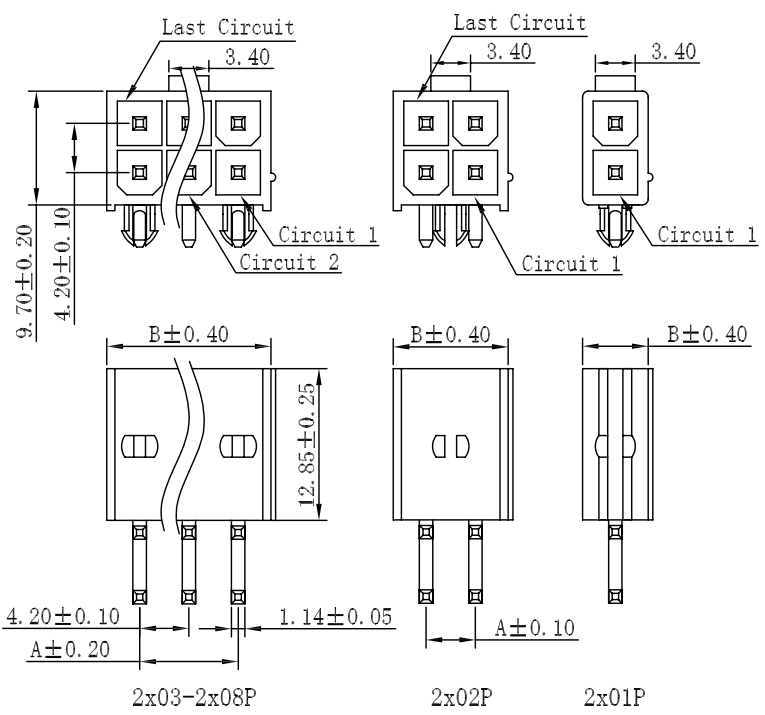


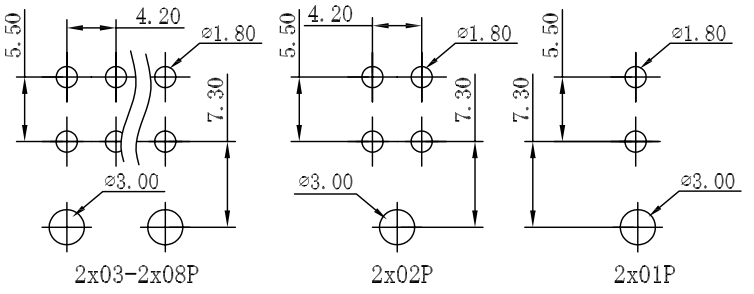
5	6	7	8
REV.	DATE	ECN NO.	MODIFICATION
A	2014/08/07	/	NEW
			APPROVER
			Vicky



CIRCUIT SIZE LAYOUT

PIN NO:	A	B
2x01	--	5.60
2x02	4.20	9.80
2x03	8.40	14.00
2x04	12.60	18.20
2x05	16.80	22.40
2x06	21.00	26.60
2x07	25.20	30.80
2x08	29.40	35.00

- SPECIFICATIONS
- Voltage rating: 250V AC, DC
  - Current rating: 7A, AC, DC
  - Withstanding Voltage: 1500V AC/minute
  - Insulation resistance: 1000MΩ min
  - Temperature range: -25° C~+85° C
  - Contact resistance: 20mΩ max
- WAFER
- Housing Material: Nylon66 UL94V-2 or UL94V-0
  - Pin Material: Brass
  - Contact Area Plating: Tin-Plated or Gold-Flash



P. C. B LAYOUT

GENERAL TOLERANCE		UNITS	NAME:	ATOM® 深圳市爱特姆科技有限公司 SHENZHEN ATOM TECHNOLOGY CO., LTD.		
SELECT	✓	mm	WF			
TOL.	1 2 3	MAT'L	PART NO:	TITLE: Wafer4.2mm 2*XP DIP 90°带定位柱		
ON.			WF420**-08***			
X.XXX	±0.005 ±0.05 ±0.15	FINISH	APPD:	Vicky	DWG NO. ATOM-A03215	
X.XX	±0.20 ±0.13 ±0.25		CHKD:	Doris		
X.X	±0.25 ±0.25 ±0.50	Q'TY	DR:	Jillian		
X.	±0.30 ±0.38 ±1.00					
ANGLE	±2'				SCALE	SHEET
					1:1	1/1
						REV
						A