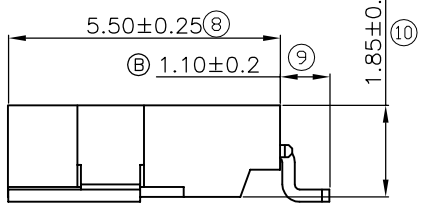
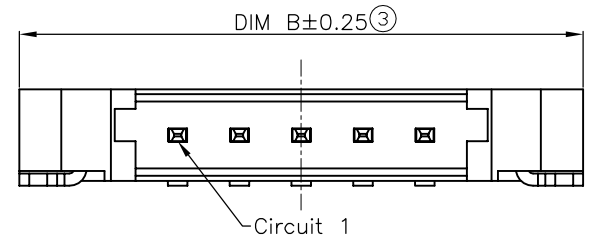
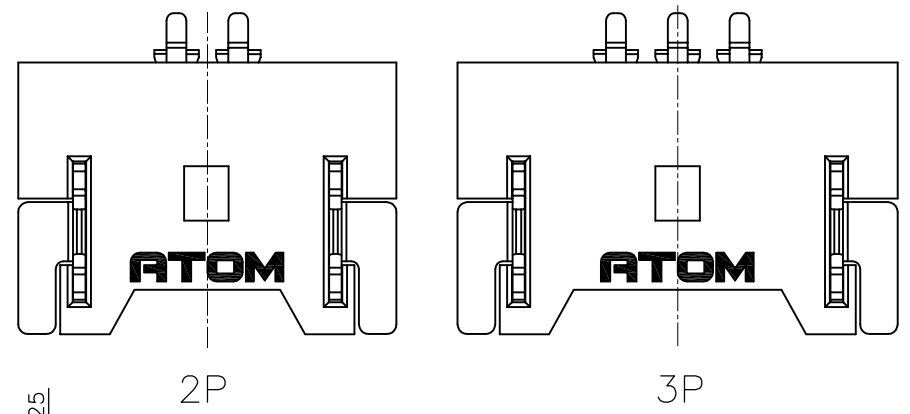
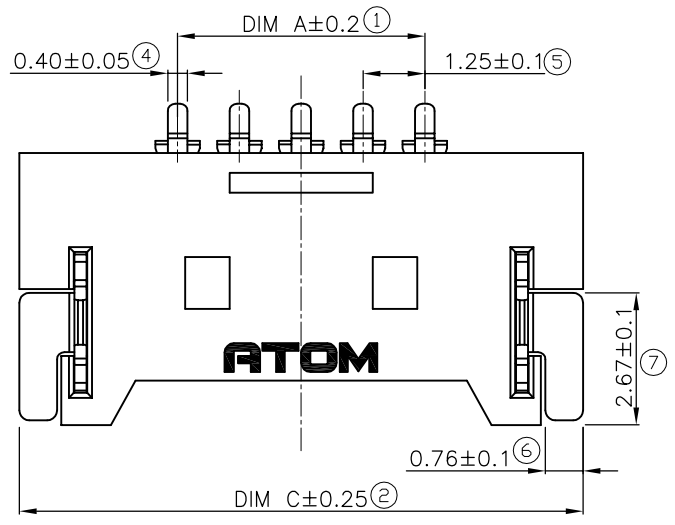


REV	DATE	ECN NO.	MODIFICATION	APPROVER
A	2010/12/06		NEW	HYQ
B	2017/8/26	RD00317082801	尺寸变更由1.0变更为1.1	JASON
C	2019/9/18		2-9PIN电流为1.5A, 10PIN以上为1A	JASON

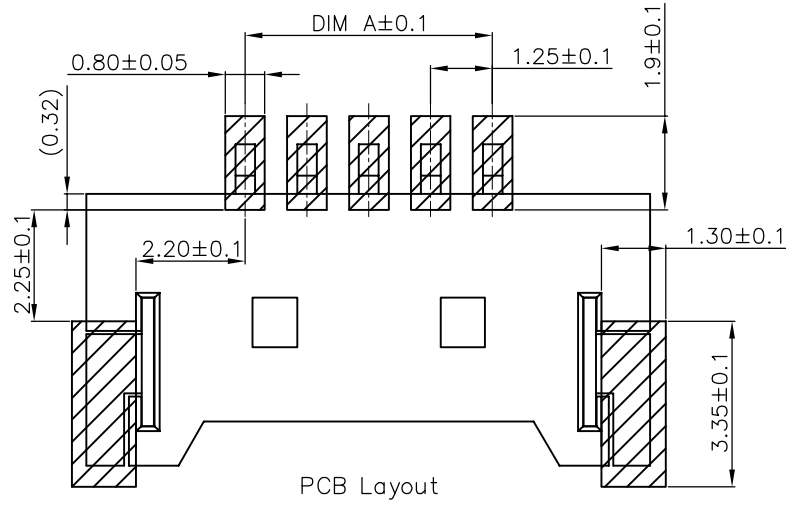


Pin No.	DIMENSIONS		
	DIM.A	DIM.B	DIM.C
2P	1.25	7.65	7.65
3P	2.50	8.90	8.90
4P	3.75	10.15	10.15
5P	5.00	11.40	11.40
6P	6.25	12.65	12.65
7P	7.50	13.90	13.90
8P	8.75	15.15	15.15
9P	10.00	16.40	16.40
10P	11.25	17.65	17.65
11P	12.50	18.90	18.90
12P	13.75	20.15	20.15
13P	15.00	21.40	21.40
14P	16.25	22.65	22.65
15P	17.50	23.90	23.90
20P	23.75	30.15	30.15
30P	36.25	42.65	42.65

**SPECIFICATION**

1. Material:  
Housing: Nylon, UL94V-0, color: Natural.  
Terminal: copper alloy.  
Solder\_Tab: copper alloy.  
Gold plated over nickel plated (50 u" min)  
Solder tab: copper alloy.  
Gold plated over nickel plated (50 u" min)

2. Electrical Characteristics:  
Voltage rating: 125V.  
© Current rating: 2Pin~9Pin 1.5A, 10Pin~30Pin 1.0A  
Operating Temperature: -25°C~+85°C.  
Insulation resistance: 100M ohms min. at 500VDC  
Dielectric withstanding voltage: 500 VAC/1minute.  
Contact resistance: 20m ohms max.



GENERAL TOLERANCE				UNITS	NAME:	ATOM® 深圳市爱特姆科技有限公司 SHENZHEN ATOM TECHNOLOGY CO., LTD.			
SELECT	✓			mm	Wafer				
DN.	TOL	1	2	3	PART NO:	TITLE: Customer drawing 1.25mm Pitch Wafer SMT 贴片(H=1.85mm)			
X.XXX	±0.10	±0.05	±0.15		APPD:	DWG NO. ATOM-A00488			
X.XX	±0.15	±0.13	±0.25		CHKD:	SCALE SHEET REV			
X.X	±0.20	±0.25	±0.5		Q'TY	1:1 1/1 C			
X.	±0.30	±0.38	±1.00		DR:				
ANGLE	±2°				TOM				