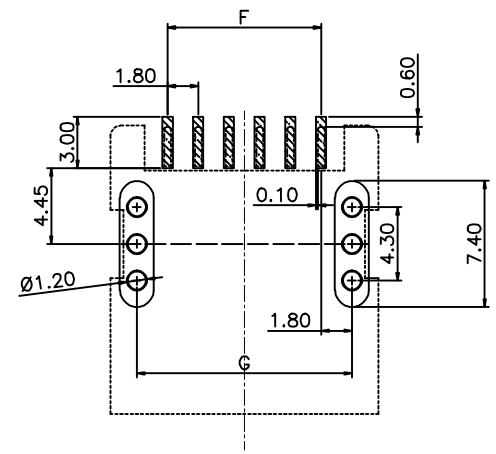
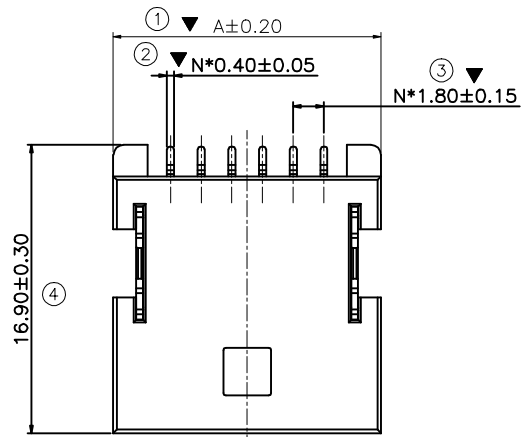
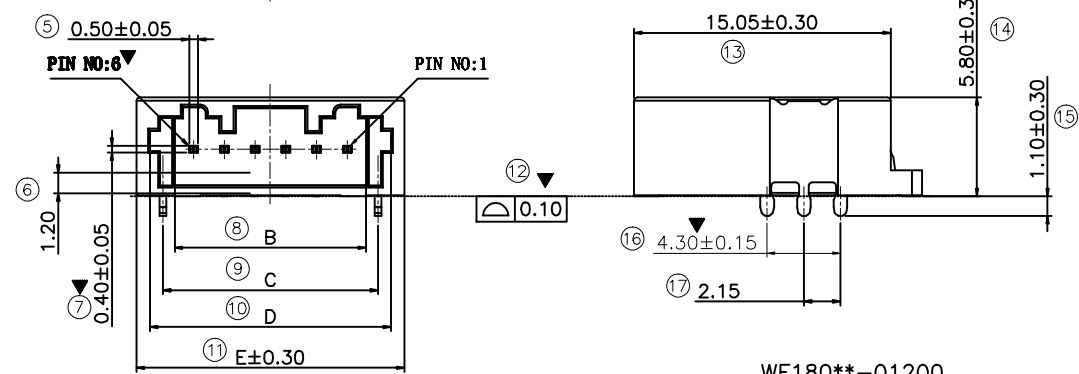


REV.	DATE	ECN NO.	MODIFICATION
A0	2023.09.12	/	NEW



RECOMMENDED PCB LAYOUT(TOP VIEW)
DEFAULT TOLERANCE:±0.05



产品代码: WF
PIN距: 1.80
PIN数: **
分隔号

WF180**-01200

预留码
2:卷装
01:单排卧式

- Specifications :
- Voltage rating: 125V AC / DC
 - Current rating: 1A AC / DC
 - Withstanding voltage: 500 V AC/minute
 - Temperature range: -40°C~+125°C
 - Insulation resistance: $\geq 100M\Omega$
 - Contact resistance: $\leq 10m\Omega$
 - After environmental testing: $\leq 20m\Omega$

Dimensions/mm							
PIN	A	B	C	D	E	F	G
02	1.8	4.0	5.4	6.9	8.5	1.8	5.4
06	9.00	12.80	12.60	14.1	15.7	9.0	12.6
10	16.2	18.4	19.8	21.3	22.9	16.2	19.8
12	19.8	22.0	23.4	24.9	26.5	19.8	23.4
14	23.4	25.6	27.0	28.5	30.1	23.4	27.0
16	27.0	29.2	30.6	32.1	33.7	27.0	30.6

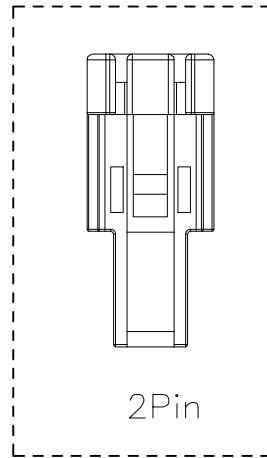
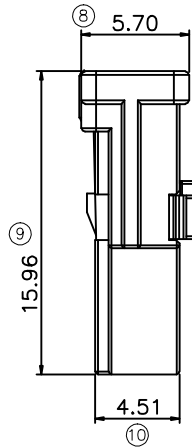
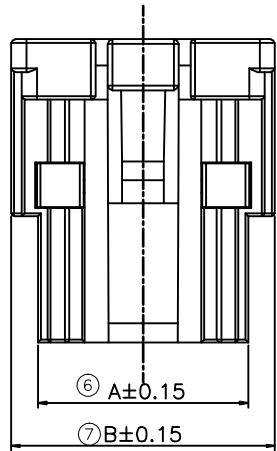
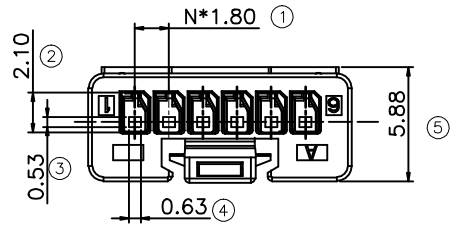
GENERAL TOLERANCE			UNITS mm	NAME(INTENDED USE) RECEPTACLE KITS	
SELECT		<input checked="" type="checkbox"/>			
TOL. ON:	X.XXX	±0.10	±0.15	±0.20	MAT'L
	X.XX	±0.15	±0.20	±0.25	
	X.X	±0.20	±0.25	±0.30	FINISH
	X.	±0.25	±0.30	±0.50	
ANGLE	±2°			Q'TY	

PART NO.(INTENDED USE) WF180**-01200	TITLE: PH1.80mm 2-16PIN SMT 卧式 每座
APPD:	DWG NO.: ATOM-A10911
CHKD:	
DR: ZFG	

ATOM 深圳市爱特姆科技有限公司
SHENZHEN ATOM TECHNOLOGY CO., LTD.

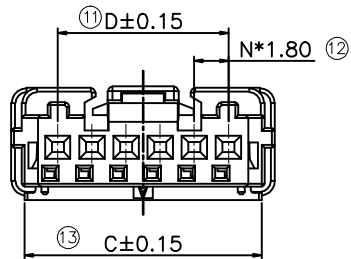
SCALE 1:1	SHEET 1/1	REV. A0
--------------	--------------	------------

REV.	DATE	ECN NO.	MODIFICATION
A0	2023.09.12	/	NEW



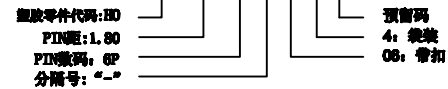
■ Specifications :

- Voltage rating: 125V AC / DC
- Current rating: 1A AC / DC
- Contact resistance: ≤10mΩ
- After environmental testing: ≤20mΩ
- Insulation resistance: ≥100MΩ
- Withstanding voltage: 500V AC/minute
- Temperature range: -40°C~+125°C

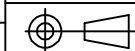


Dimensions/mm				
PIN	A	B	C	D
02	3.9	6.7	5.3	1.80
06	11.1	13.9	12.5	9.0
10	18.3	21.1	19.7	16.20
12	21.9	24.7	23.3	19.80
14	25.5	28.3	26.9	23.40
16	29.1	31.9	30.5	27.00

PART NO.
H018006-06400

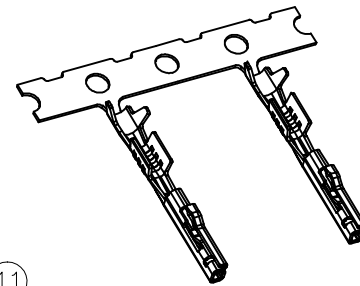
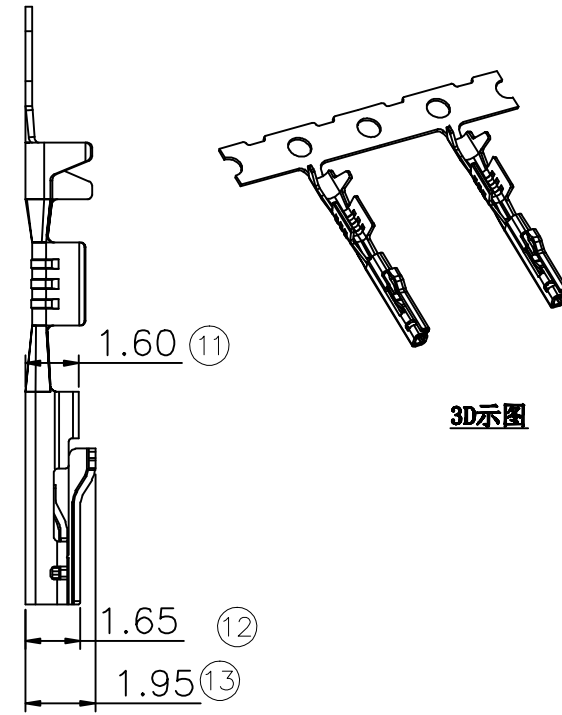
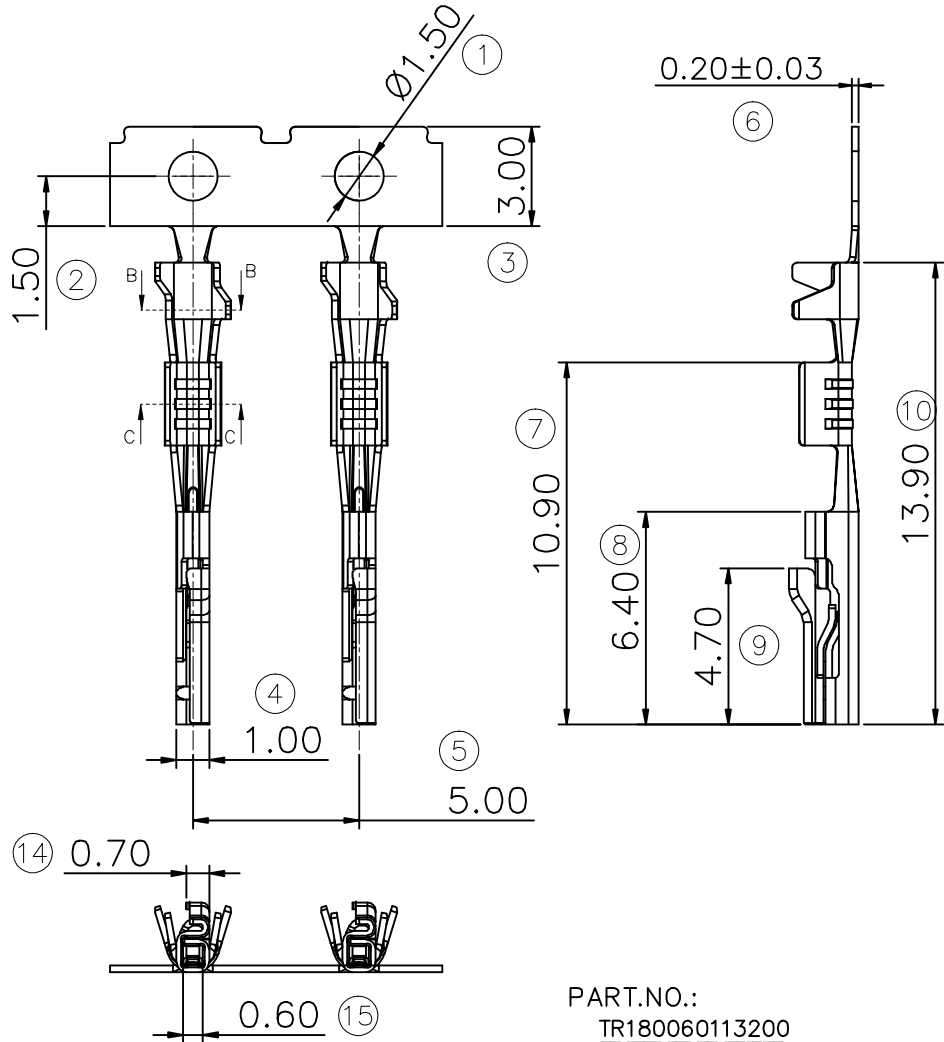


GENERAL TOLERANCE			UNITS mm	NAME(INTENDED USE) RECEPTACLE KITS	ATOM® 深圳市爱特姆科技有限公司 SHENZHEN ATOM TECHNOLOGY CO., LTD.
SELECT		✓			
TOL.			MAT'L	PART NO.(INTENDED USE) H018006-06400	TITLE: HOUSING 1.8 XP 胶壳 带扣 PA10T 黑色 载流
X.XXX	±0.10	±0.15			
X.XX	±0.15	±0.20	±0.25	APPD:	DWG NO.: ATOM-A10910
X.X	±0.20	±0.25	±0.30		
X.	±0.25	±0.30	±0.50	CHKD:	SCALE
ANGLE	±2°				
				Q'TY	SHEET
				DR: ZFG	1/1
					REV.
					A0

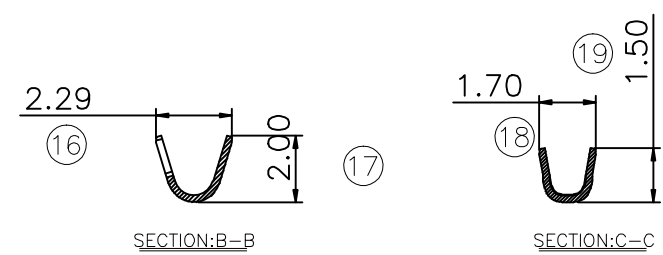


ACAD GENERATED DRAWING. DON'T CHANGE BY HAND

REV.	DATE	ECN NO.	MODIFICATION	APPROVER
A0	2023/09/12	/	NEW	JASON



3D示意图



PART.NO.:
TR180060113200

- TR: 端子
- 1.80 PITCH
- 06: 带扣
- 材质: 01磷铜
- 预留码
- 2: 卷装
- 00: 素材
- 13: 镀亮锡

- Specifications :
- Voltage rating: 125V AC / DC
- Current rating: 1A AC / DC
- Withstanding voltage: 500V AC/minute
- Temperature range: -40°C~+125°C
- Insulation resistance: $\geq 100M\Omega$
- Contact resistance: $\leq 10m\Omega$
- After environmental testing: $\leq 20m\Omega$
- Material: copper alloy
- Applicable wire diameter:
AWG#22~24(0.35~0.22mm²)
OD ϕ 1.4mm MAX

GENERAL TOLERANCE			UNITS	NAME(INTENDED USE)
SELECT		√	mm	RECEPTACLE KITS
TOL	1	2	MAT'L	PART NO.(INTENDED USE)
ON.	X.XXX	±0.10 ±0.15 ±0.20	FINISH	TR180060113200
	X.XX	±0.15 ±0.20 ±0.25		Q'TY
	X.X	±0.20 ±0.25 ±0.30		CHKD:
	X.	±0.25 ±0.30 ±0.50		DR: ZFG
ANGLE	±2°			

ATOM 深圳市爱特姆科技有限公司
SHENZHEN ATOM TECHNOLOGY CO., LTD.

TITLE: 1.8 磷铜 磷铜镀锡 端子 带扣

DWG NO.: ATOM-A10912

SCALE	SHEET	REV.
1:1	1/1	A0