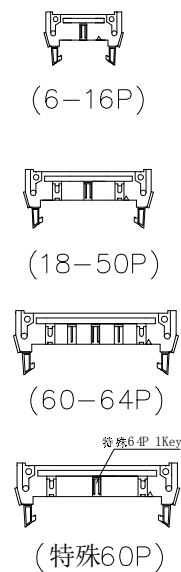
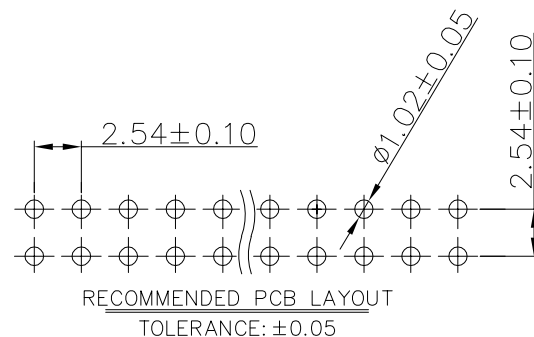
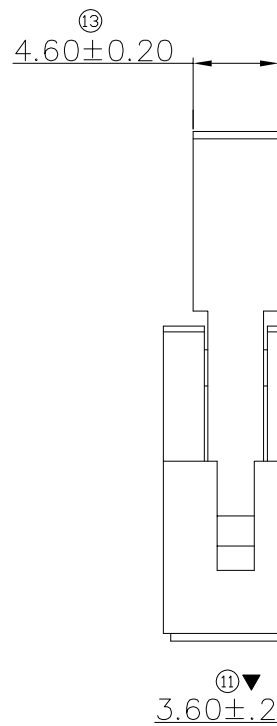
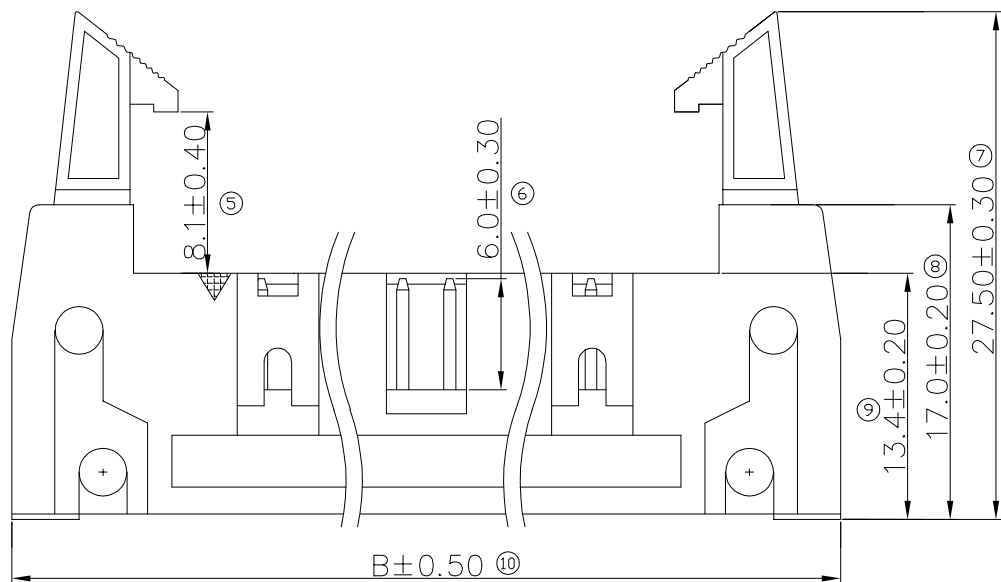
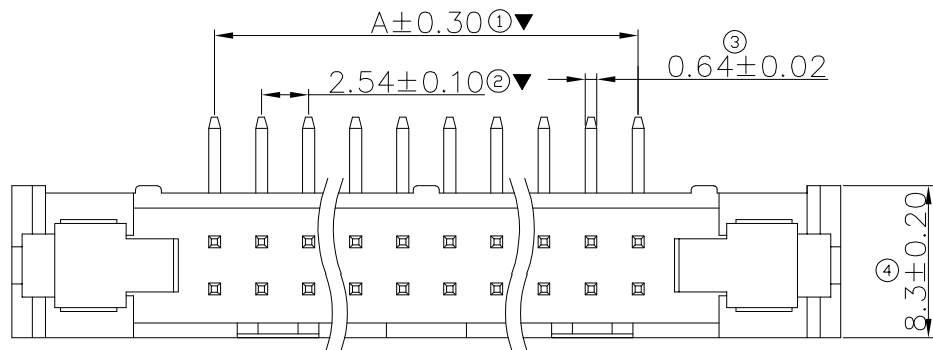


5	6	7	8
REV.	DATE	ECN NO.	MODIFICATION
A0	2023.03.25		NEW
			APPROVER
			Abel



PIN NO.	DIMENSION	
	A	B
6P	5.08	26.82
8P	7.62	29.36
10P	10.16	31.90
12P	12.70	34.44
14P	15.24	36.98
16P	17.78	39.52
18P	20.32	42.06
20P	22.86	44.60
24P	27.94	49.68
26P	30.48	52.22
30P	35.56	57.30
32P	38.10	59.84
34P	40.64	62.38
36P	43.18	64.92
40P	48.26	70.00
50P	60.96	82.70
60P	73.66	95.70
64P	78.74	100.78

SPECIFICATIONS:

- Current Rating:3Amp
- Insulation Resistance:1000MΩ Min
- Contact Resistance:20mΩ Max
- Dielectric Withstanding:AC 500V
- Operating Temperature:-25°C~+85°C

Material:

- Contact Material:H65
- Insulator Material:PA9T UL94V-0
- plating:Gold flash over Ni 30-60u" under plated.

Major Dimension:▼

Products meet RoHS environmental requirements

GENERAL TOLERANCE			UNITS mm	NAME(INTENDED USE) 勾勾牛角	ATOM ® 深圳市爱特姆科技有限公司 SHENZHEN ATOM TECHNOLOGY CO., LTD. TITLE: Customer Drawing For 勾勾牛角 2.54mm 2*XP DIP 90°针长3.6				
SELECT	<input checked="" type="checkbox"/>	<input type="checkbox"/>						MAT'L	PART NO.(INTENDED USE) BH254**D***
TOL.	1	2	3	FINISH	APPD: Abel	DWG NO.: ATOM-A08867			
X.XXX	±0.10	±0.15	±0.20	Q'TY	CHKD: Vicky		SCALE	SHEET	REV.
X.XX	±0.15	±0.20	±0.25		DR: Ling		1:1	1/1	A0
X.X	±0.20	±0.25	±0.30						
X.	±0.25	±0.30	±0.50						
ANGLE	±2'								