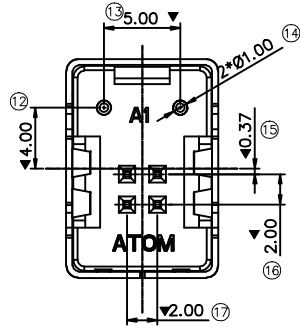
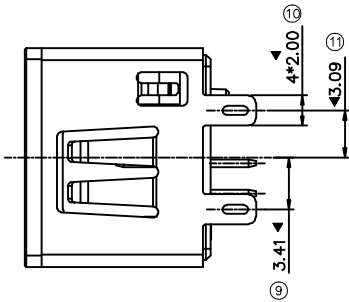
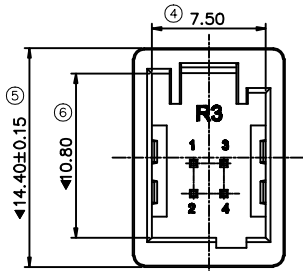
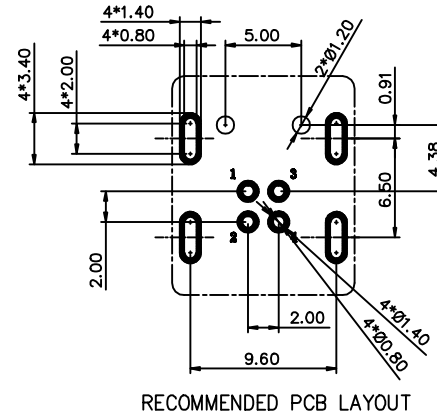
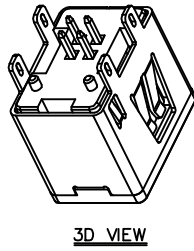
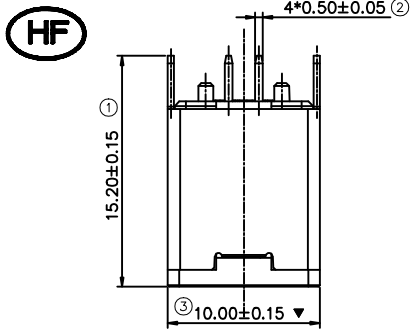


REV.	DATE	ECN NO.	MODIFICATION	APPROVER
A0	2023.05.23	/	NEW	Abel



Specifications:

Material:

- Housing: Thermoplastic, UL94V-0
- Contact: Copper Alloy, T=0.50mm
Gold Flash plated over nickel plated.
- Shell: Copper Alloy, T=0.4mm
Nickel plated overall.
- Lead free and ROHS REACH compliant product.

Electrical:

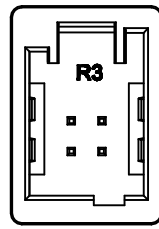
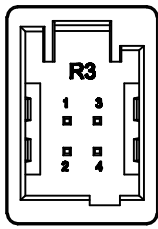
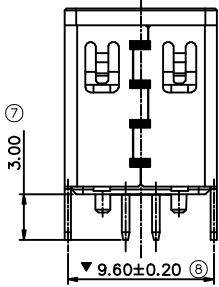
- Current Rating: 1.5A
- Voltage Rating: 60V DC
- Contact Resistance: 25 mΩ MAX, After the test: 35mΩ MAX
- Dielectric Withstanding Voltage: 500V AC for one minute
- Insulation Resistance: 1000 MΩ MIN

Environment characteristics:

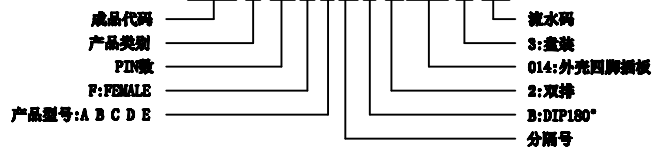
- Operating Temperature: -40°C~+105°C

Mechanical:

- Insertion force: 35N MAX.
- Withdrawal force: 2N MIN Single PIN.
- Durability :30 Cycles



PART.NO.:
USB904F*-B2014300



GENERAL TOLERANCE			
SELECT	1	2	3
ON:	1	2	3
X.XXX	±0.10	±0.15	±0.20
X.XX	±0.15	±0.20	±0.25
X.X	±0.20	±0.25	±0.30
X.	±0.25	±0.30	±0.50
ANGLE	±2°		

1	VBUS
2	GND
3	AUDIO
4	VIDEO

UNITS	mm	NAME (INTENDED USE) 车载视频连接器 板端 4P 立式	ATOM® 深圳市爱特姆科技有限公司 SHENZHEN ATOM TECHNOLOGY CO., LTD.
MAT'L			
FINISH		PART NO. (INTENDED USE) USB904F*-B2014300	TITLE: CUSTOMER DRAWING FOR 车载视频连接器 板端 4P 立式
Q'TY		APPD:	DWG NO.: ATOM-A08365
DR: Ming		SCALE: 1:1 SHEET: 1/1 REV: A0	